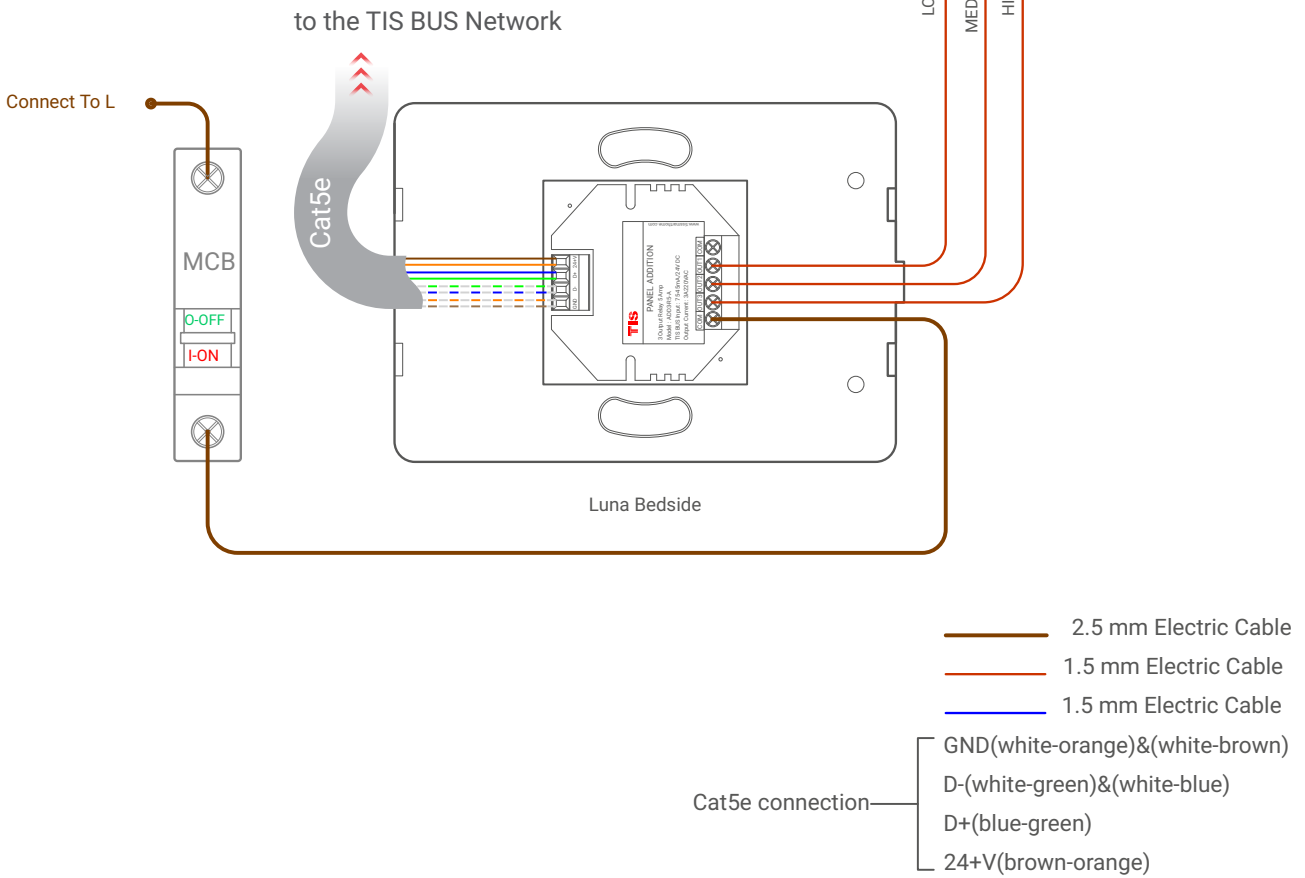
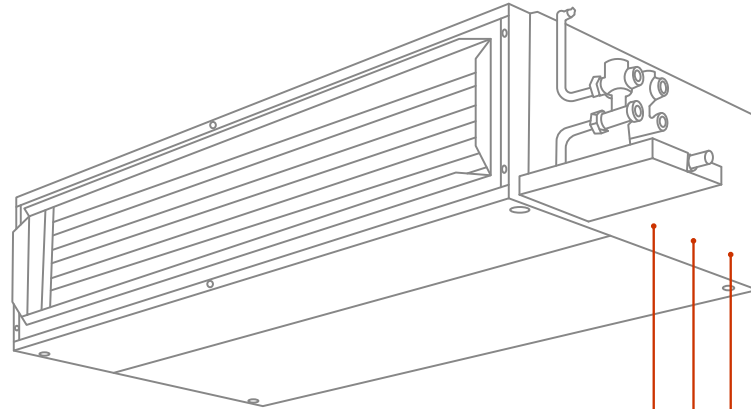


▲ Figure 1: Luna Bedside & ADD-3R-5A Lights Connection Diagram

LUNA BEDSIDE PANEL

Bedside Touch Panel

Model: LUNA-BEDSIDE



▲ Figure 2: Luna Bedside & ADD-3R-5A FCU Connection Diagram



Copyright © 2020 TIS, All Rights Reserved
 TIS Logo is a Registered Trademark of Texas Intelligent System LLC in the United States of America. This company takes TIS Control Ltd. in other countries. All of the Specifications are subject to change without notice.

TEXAS INTELLIGENT SYSTEM LLC
 SUITE# 610, 860 NORTH DOROTHY DR
 RICHARDSON
 TX 75081.USA

TIS CONTROL LIMITED
 RM 1502-p9 Easey CommBldg
 253-261 Hennessy Rd Wanchai
 Hong Kong

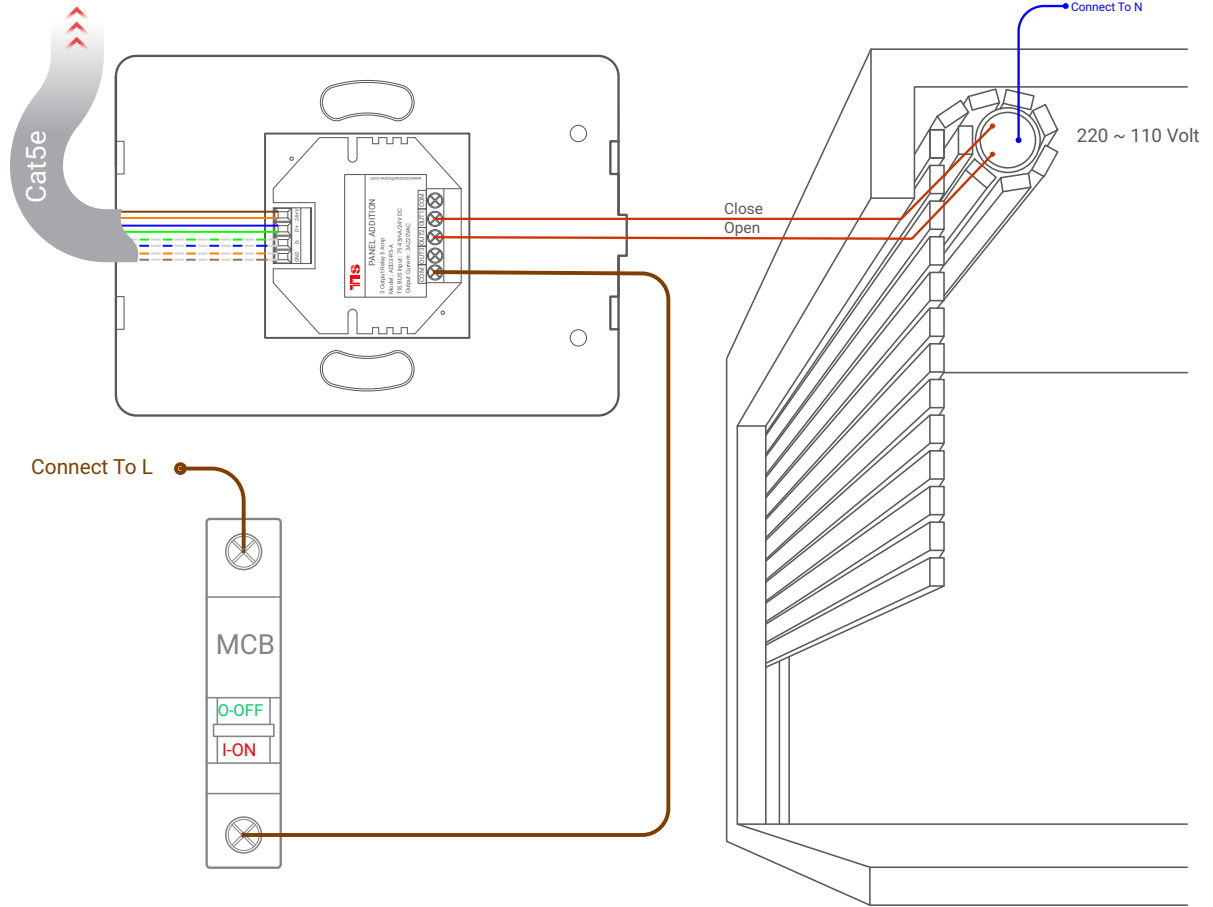
LUNA BEDSIDE PANEL

Bedside Touch Panel

Model: LUNA-BEDSIDE



to the TIS BUS Network



- 2.5 mm Electric Cable
 - 1.5 mm Electric Cable
 - 1.5 mm Electric Cable
- Cat5e connection —
- GND(white-orange)&(white-brown)
 - D-(white-green)&(white-blue)
 - D+(blue-green)
 - 24+V(brown-orange)

▲ Figure 3: Luna Bedside & ADD-3R-5A Motors Connection Diagram



Copyright © 2020 TIS, All Rights Reserved
 TIS Logo is a Registered Trademark of Texas Intelligent System LLC in the United States of America. This company takes TIS Control Ltd. in other countries. All of the Specifications are subject to change without notice.

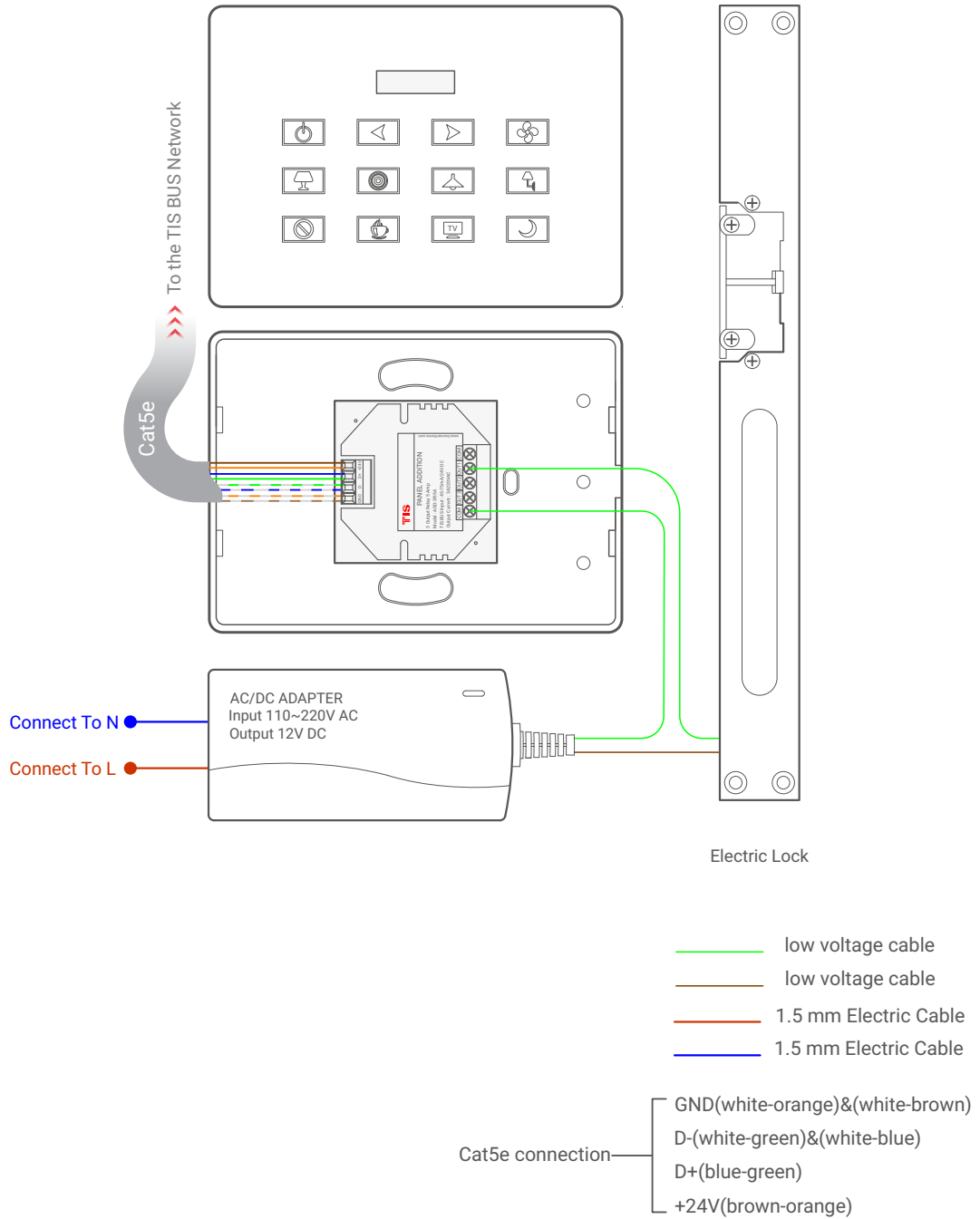
TEXAS INTELLIGENT SYSTEM LLC
 SUITE# 610, 860 NORTH DOROTHY DR
 RICHARDSON
 TX 75081.USA

TIS CONTROL LIMITED
 RM 1502-p9 Easey CommBldg
 253-261 Hennessy Rd Wanchai
 Hong Kong

LUNA BEDSIDE PANEL

Bedside Touch Panel

Model: LUNA-BEDSIDE



▲ Figure 4: Luna Bed Side & ADD-3R-5A Electric Lock Connection Diagram



Copyright © 2020 TIS, All Rights Reserved
 TIS Logo is a Registered Trademark of Texas Intelligent System LLC in the United States of America. This company takes TIS Control Ltd. in other countries. All of the Specifications are subject to change without notice.

TEXAS INTELLIGENT SYSTEM LLC
 SUITE# 610, 860 NORTH DOROTHY DR
 RICHARDSON
 TX 75081.USA

TIS CONTROL LIMITED
 RM 1502-p9 Eassey CommBldg
 253-261 Hennessy Rd Wanchai
 Hong Kong

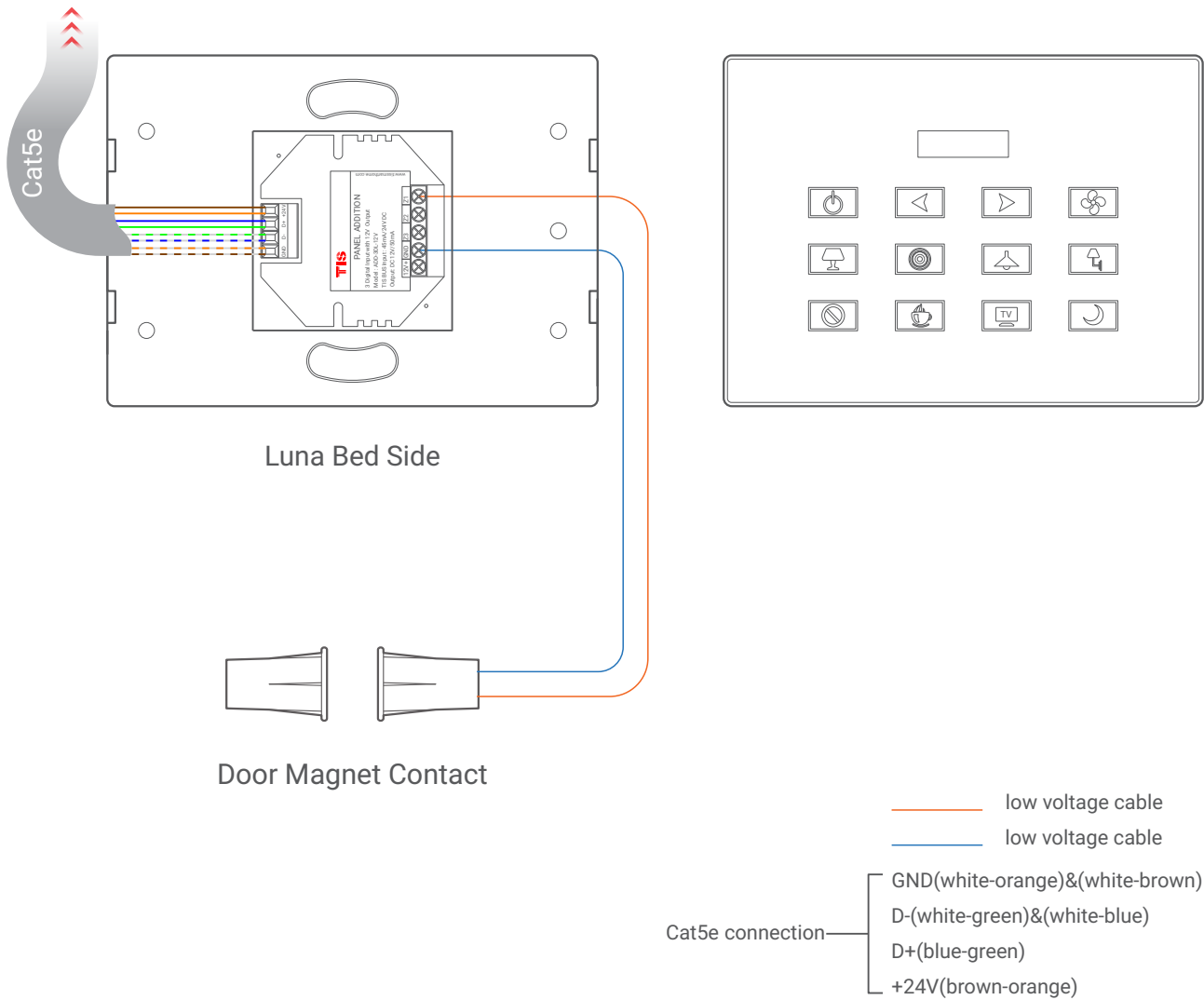
LUNA BEDSIDE PANEL

Bedside Touch Panel

Model: LUNA-BEDSIDE



to the TIS BUS Network



▲ Figure 5: Luna Bedside & ADD-3DL-12V Magnetic Door Contact Connection Diagram



Copyright © 2020 TIS, All Rights Reserved
 TIS Logo is a Registered Trademark of Texas Intelligent System LLC in the United States of America. This company takes TIS Control Ltd. in other countries. All of the Specifications are subject to change without notice.

TEXAS INTELLIGENT SYSTEM LLC
 SUITE# 610, 860 NORTH DOROTHY DR
 RICHARDSON
 TX 75081.USA

TIS CONTROL LIMITED
 RM 1502-p9 Eassey CommBldg
 253-261 Hennessy Rd Wanchai
 Hong Kong

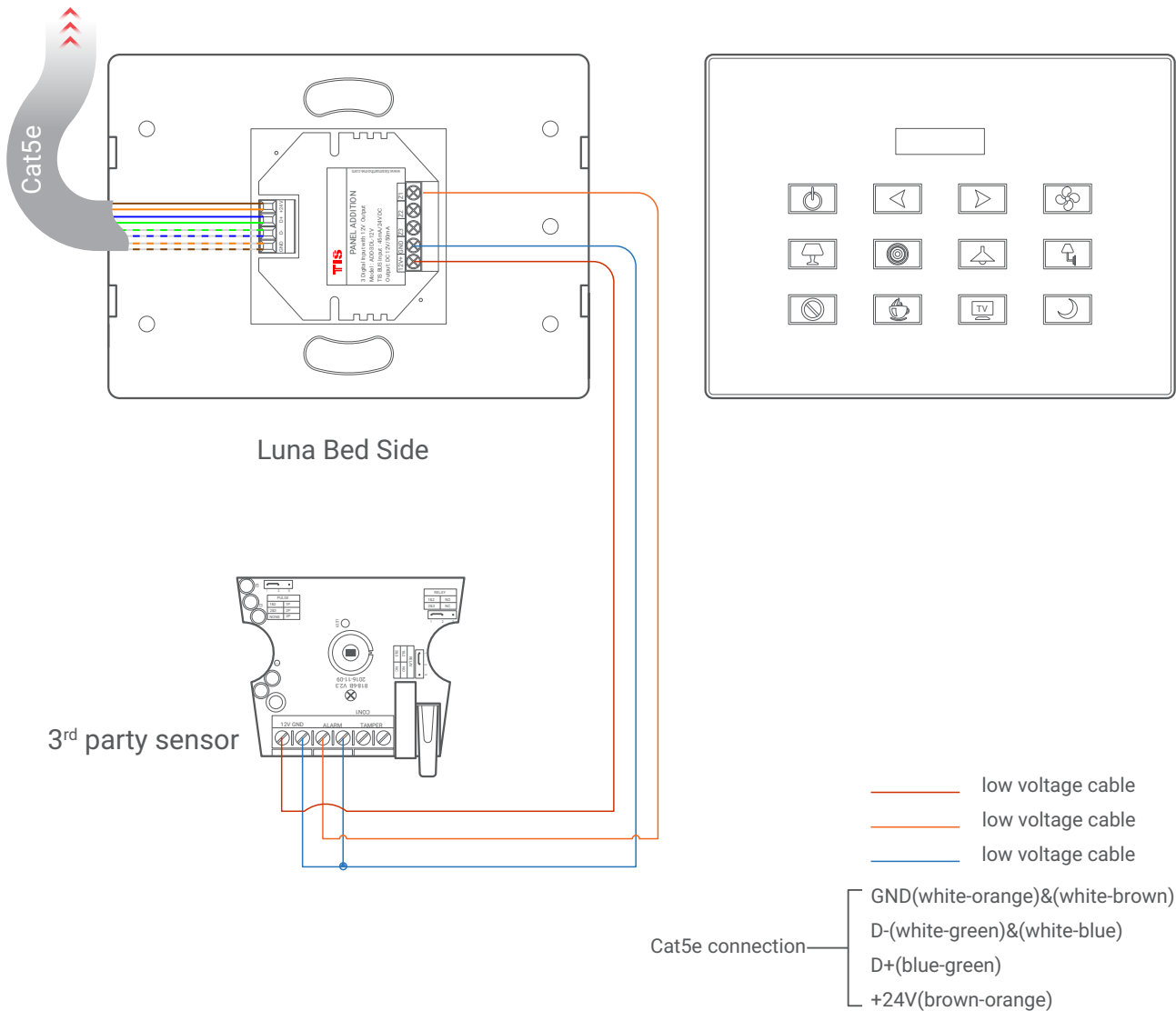
LUNA BEDSIDE PANEL

Bedside Touch Panel

Model: LUNA-BEDSIDE



to the TIS BUS Network



▲ Figure 6: Luna Bedside & ADD-3DL-12V 3rd Party Sensor Connection Diagram



Copyright © 2020 TIS, All Rights Reserved
 TIS Logo is a Registered Trademark of Texas Intelligent System LLC in the United States of America. This company takes TIS Control Ltd. in other countries. All of the Specifications are subject to change without notice.

TEXAS INTELLIGENT SYSTEM LLC
 SUITE# 610, 860 NORTH DOROTHY DR
 RICHARDSON
 TX 75081.USA

TIS CONTROL LIMITED
 RM 1502-p9 Easey CommBldg
 253-261 Hennessy Rd Wanchai
 Hong Kong

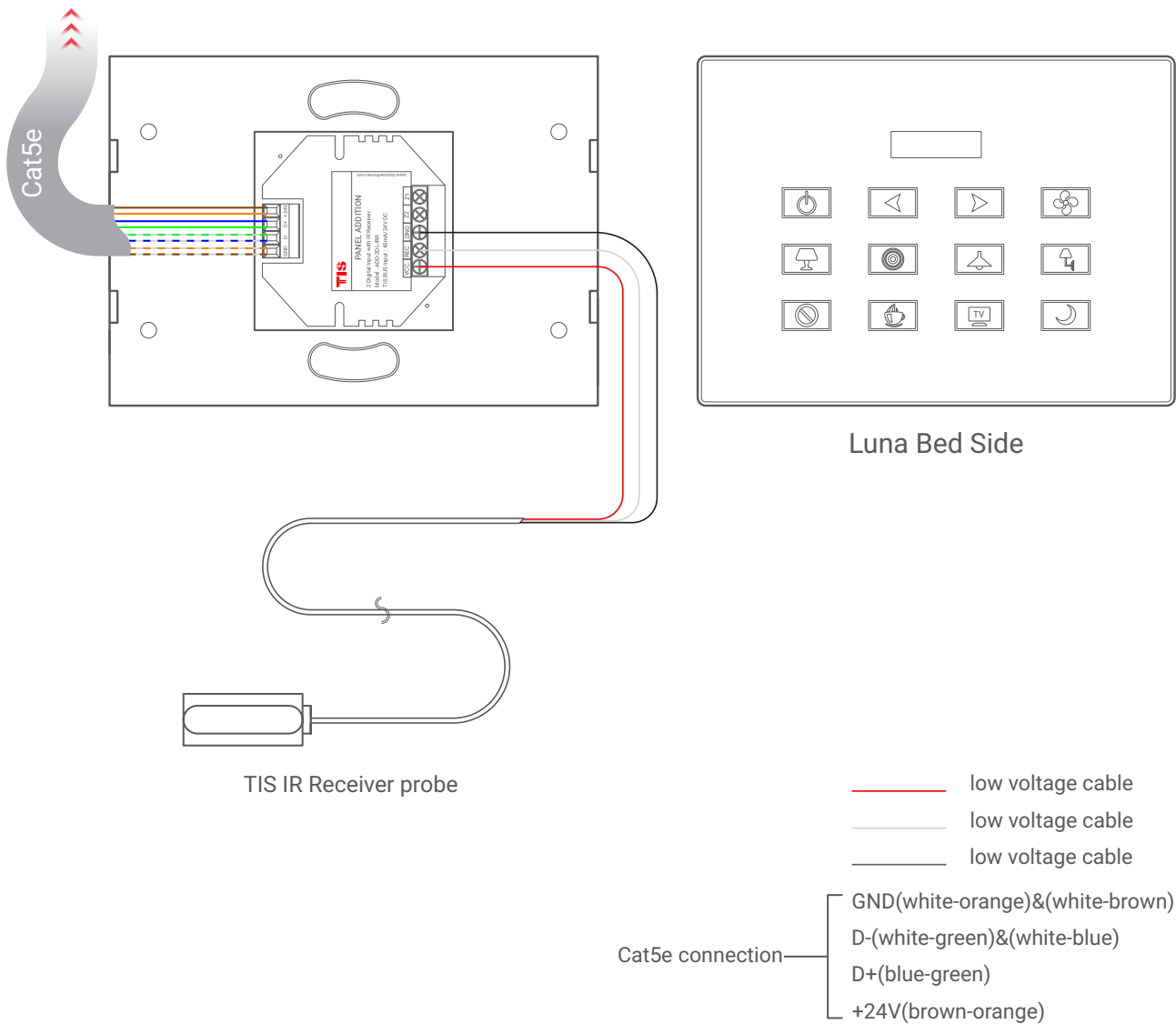
LUNA BEDSIDE PANEL

Bedside Touch Panel

Model: LUNA-BEDSIDE



to the TIS BUS Network



▲ Figure 7: Luna Bedside & ADD-2DL-IRR Connection Diagram



Copyright © 2020 TIS, All Rights Reserved
 TIS Logo is a Registered Trademark of Texas Intelligent System LLC in the United States of America. This company takes TIS Control Ltd. in other countries. All of the Specifications are subject to change without notice.

TEXAS INTELLIGENT SYSTEM LLC
 SUITE# 610, 860 NORTH DOROTHY DR
 RICHARDSON
 TX 75081.USA

TIS CONTROL LIMITED
 RM 1502-p9 Eassey CommBldg
 253-261 Hennessy Rd Wanchai
 Hong Kong

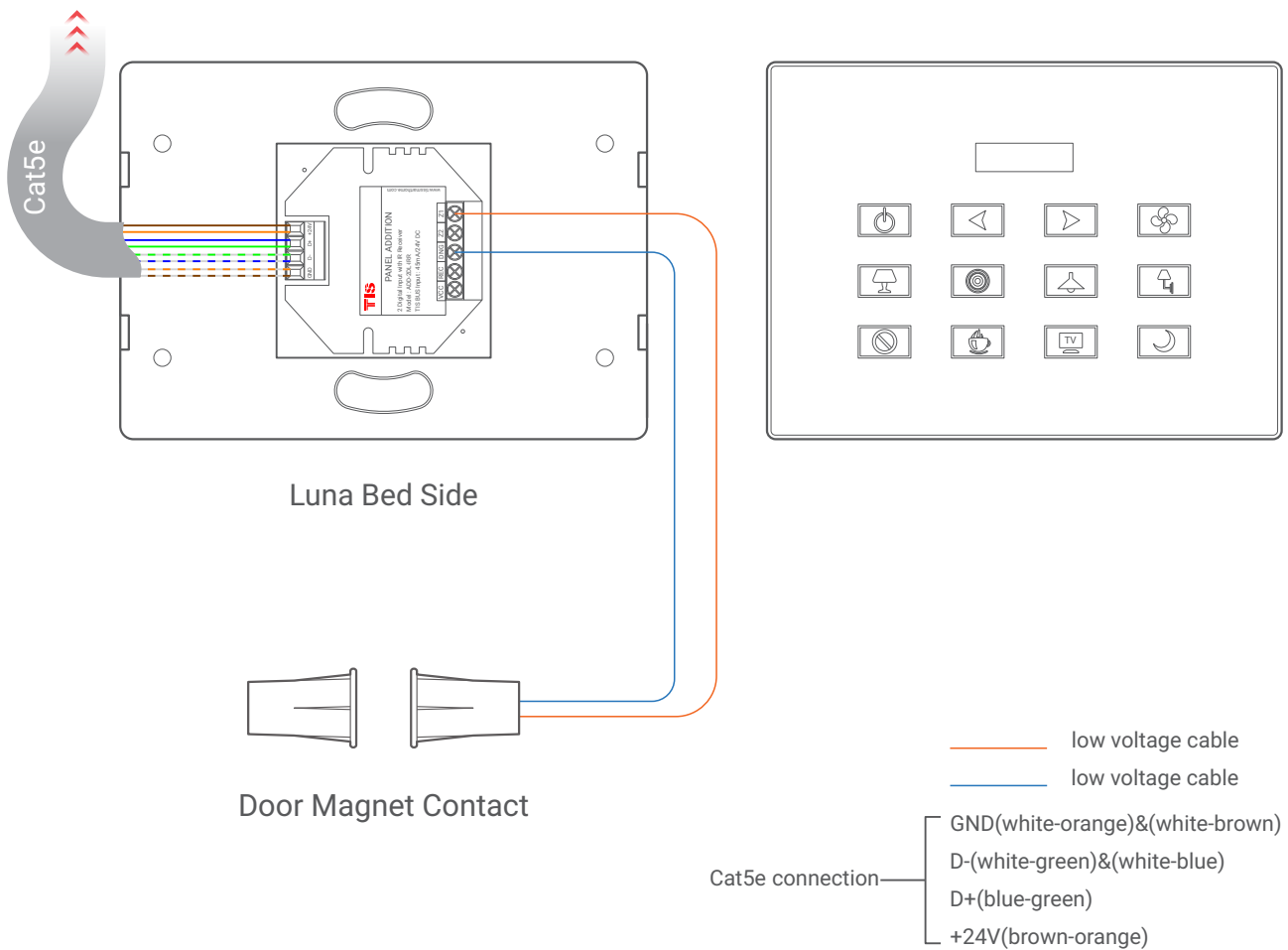
LUNA BEDSIDE PANEL

Bedside Touch Panel

Model: LUNA-BEDSIDE



to the TIS BUS Network



▲ Figure 8: Luna Bedside & ADD-2DL-IRR Magnetic Door Contact Connection Diagram



Copyright © 2020 TIS, All Rights Reserved
 TIS Logo is a Registered Trademark of Texas Intelligent System LLC in the United States of America. This company takes TIS Control Ltd. in other countries. All of the Specifications are subject to change without notice.

TEXAS INTELLIGENT SYSTEM LLC
 SUITE# 610, 860 NORTH DOROTHY DR
 RICHARDSON
 TX 75081.USA

TIS CONTROL LIMITED
 RM 1502-p9 Easey CommBldg
 253-261 Hennessy Rd Wanchai
 Hong Kong

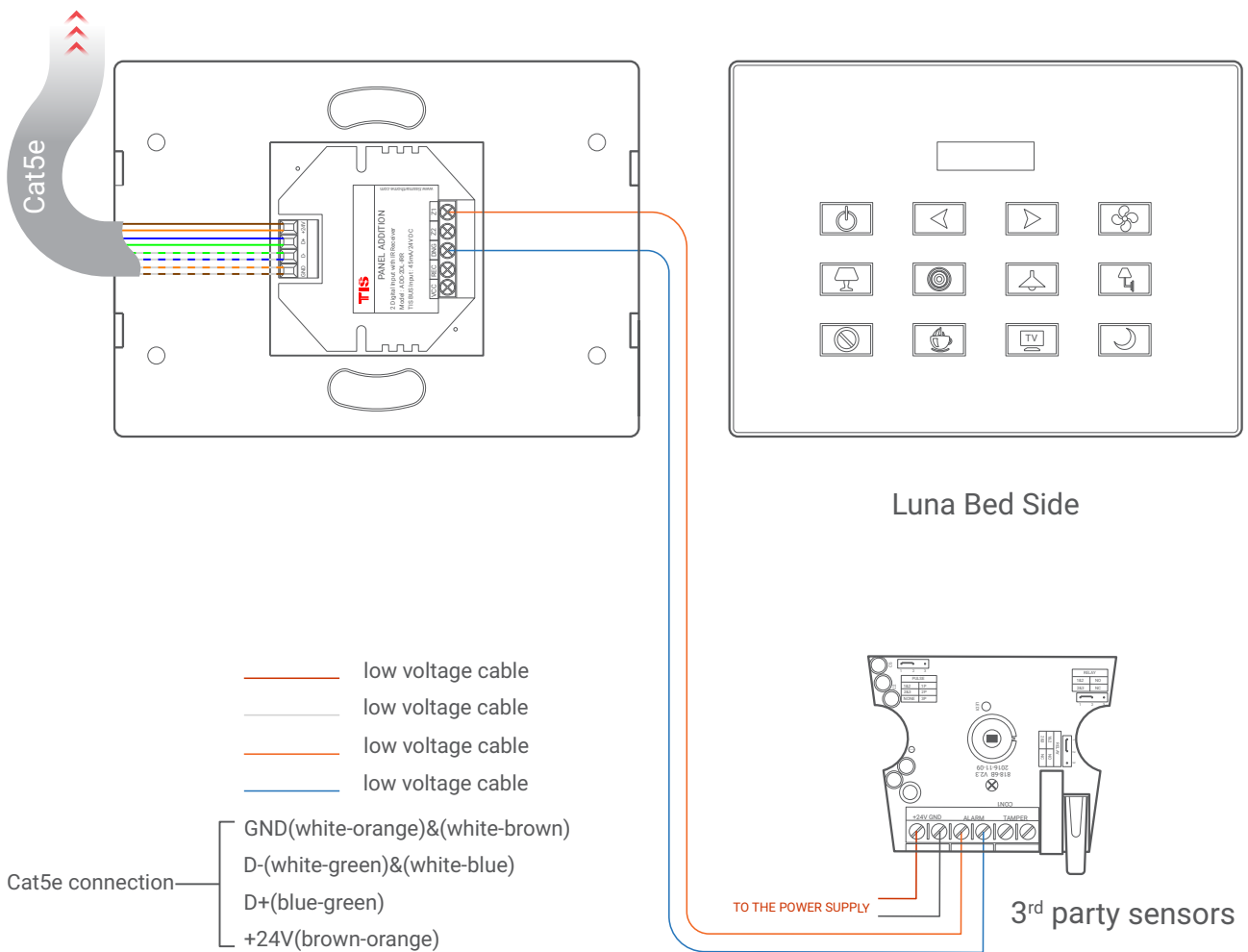
LUNA BEDSIDE PANEL

Bedside Touch Panel

Model: LUNA-BEDSIDE



to the TIS BUS Network



▲ Figure 9: Luna Bedside & ADD-2DL-IRR 3rd Party Sensor Connection Diagram



Copyright © 2020 TIS, All Rights Reserved
 TIS Logo is a Registered Trademark of Texas Intelligent System LLC in the United States of America. This company takes TIS Control Ltd. in other countries. All of the Specifications are subject to change without notice.

TEXAS INTELLIGENT SYSTEM LLC
 SUITE# 610, 860 NORTH DOROTHY DR
 RICHARDSON
 TX 75081.USA

TIS CONTROL LIMITED
 RM 1502-p9 Easey CommBldg
 253-261 Hennessy Rd Wanchai
 Hong Kong

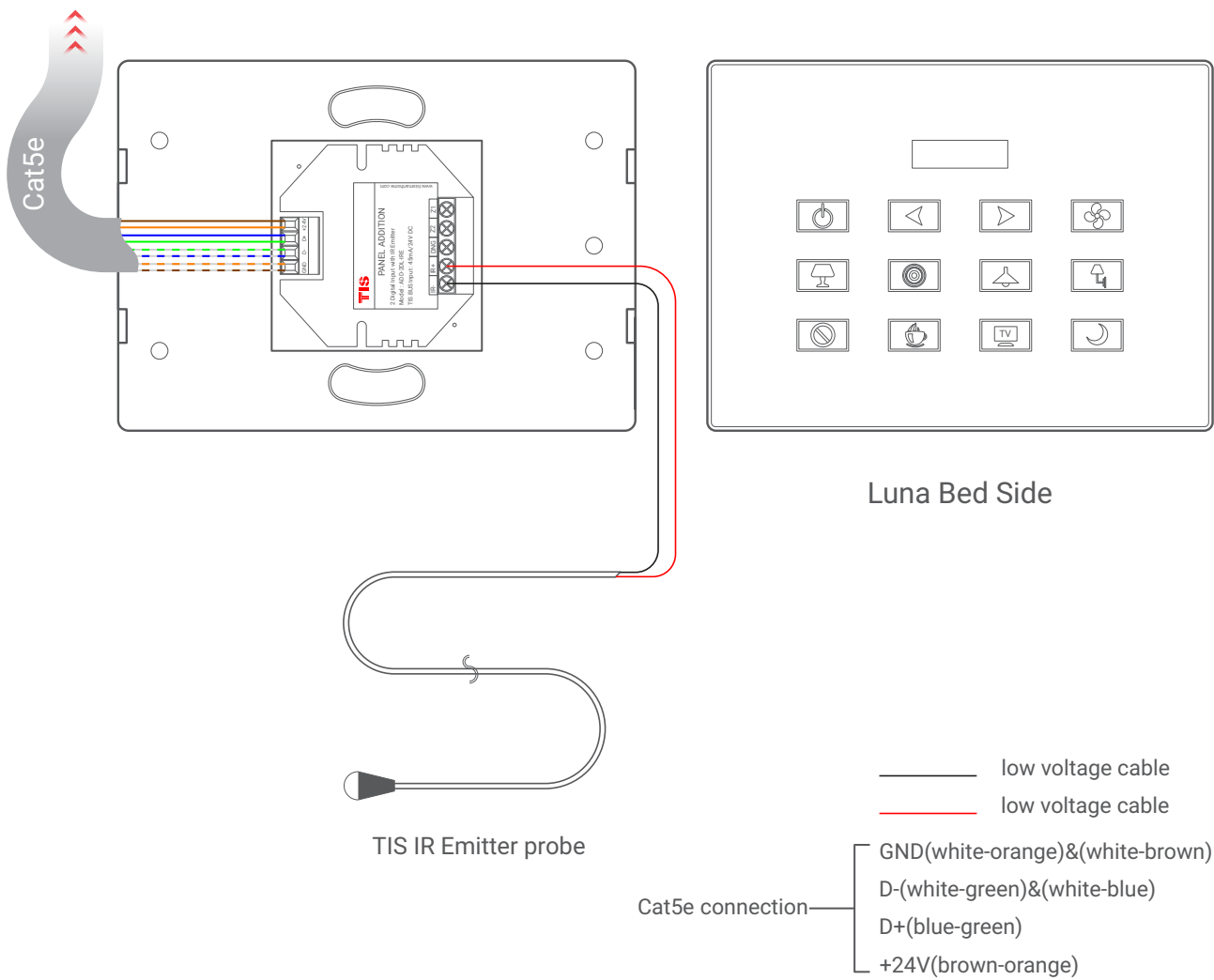
LUNA BEDSIDE PANEL

Bedside Touch Panel

Model: LUNA-BEDSIDE



to the TIS BUS Network



▲ Figure 10: Luna Bedside & ADD-2DL-IRE Connection Diagram



Copyright © 2020 TIS, All Rights Reserved
TIS Logo is a Registered Trademark of Texas Intelligent System LLC in the United States of America. This company takes TIS Control Ltd. in other countries. All of the Specifications are subject to change without notice.

TEXAS INTELLIGENT SYSTEM LLC
SUITE# 610, 860 NORTH DOROTHY DR
RICHARDSON
TX 75081.USA

TIS CONTROL LIMITED
RM 1502-p9 Easey CommBldg
253-261 Hennessy Rd Wanchai
Hong Kong

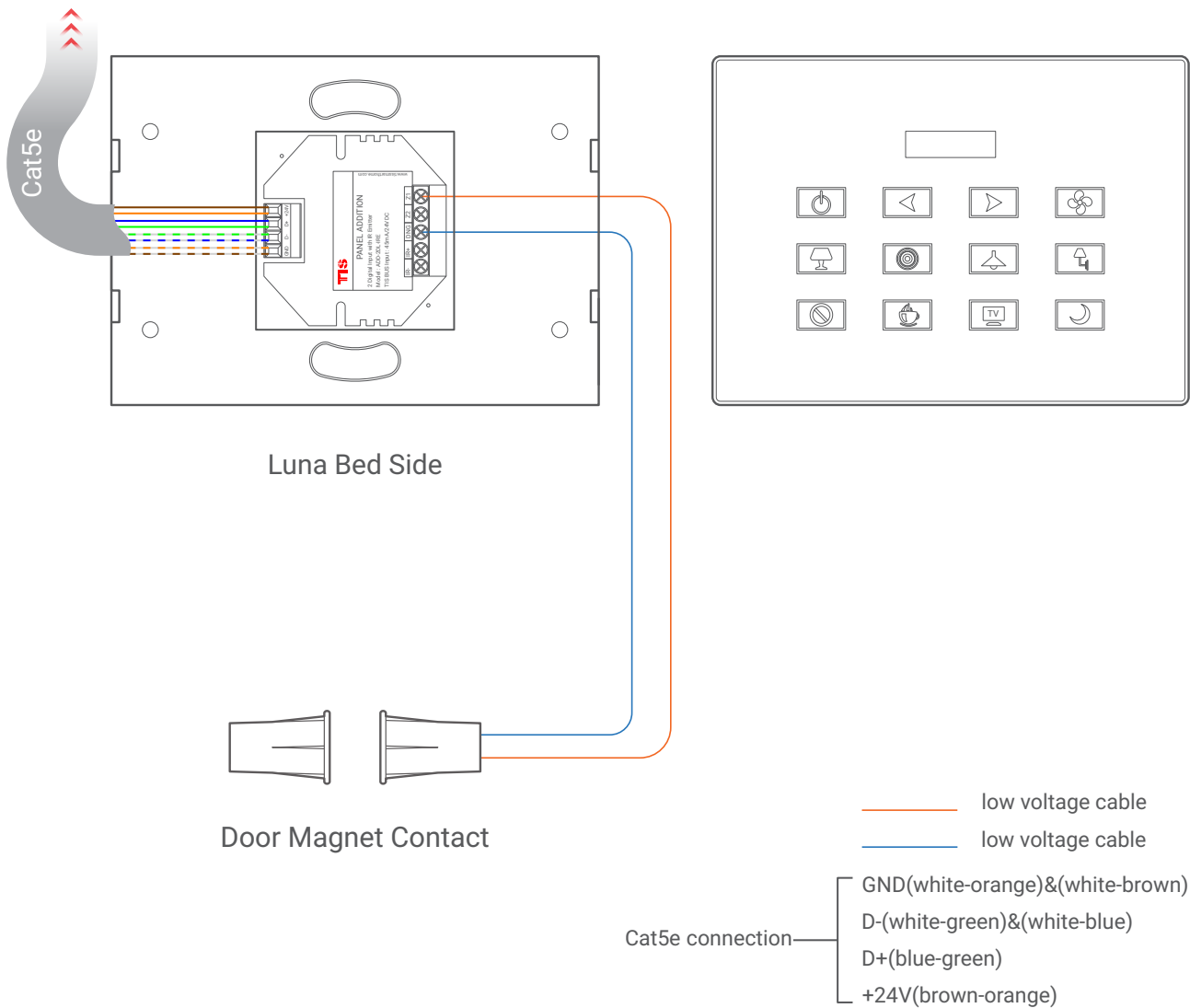
LUNA BEDSIDE PANEL

Bedside Touch Panel

Model: LUNA-BEDSIDE



to the TIS BUS Network



▲ Figure 11: Luna Bedside & ADD-2DL-IRE Magnetic Door Contact Connection Diagram



Copyright © 2020 TIS, All Rights Reserved
 TIS Logo is a Registered Trademark of Texas Intelligent System LLC in the United States of America. This company takes TIS Control Ltd. in other countries. All of the Specifications are subject to change without notice.

TEXAS INTELLIGENT SYSTEM LLC
 SUITE# 610, 860 NORTH DOROTHY DR
 RICHARDSON
 TX 75081.USA

TIS CONTROL LIMITED
 RM 1502-p9 Eassey CommBldg
 253-261 Hennessy Rd Wanchai
 Hong Kong

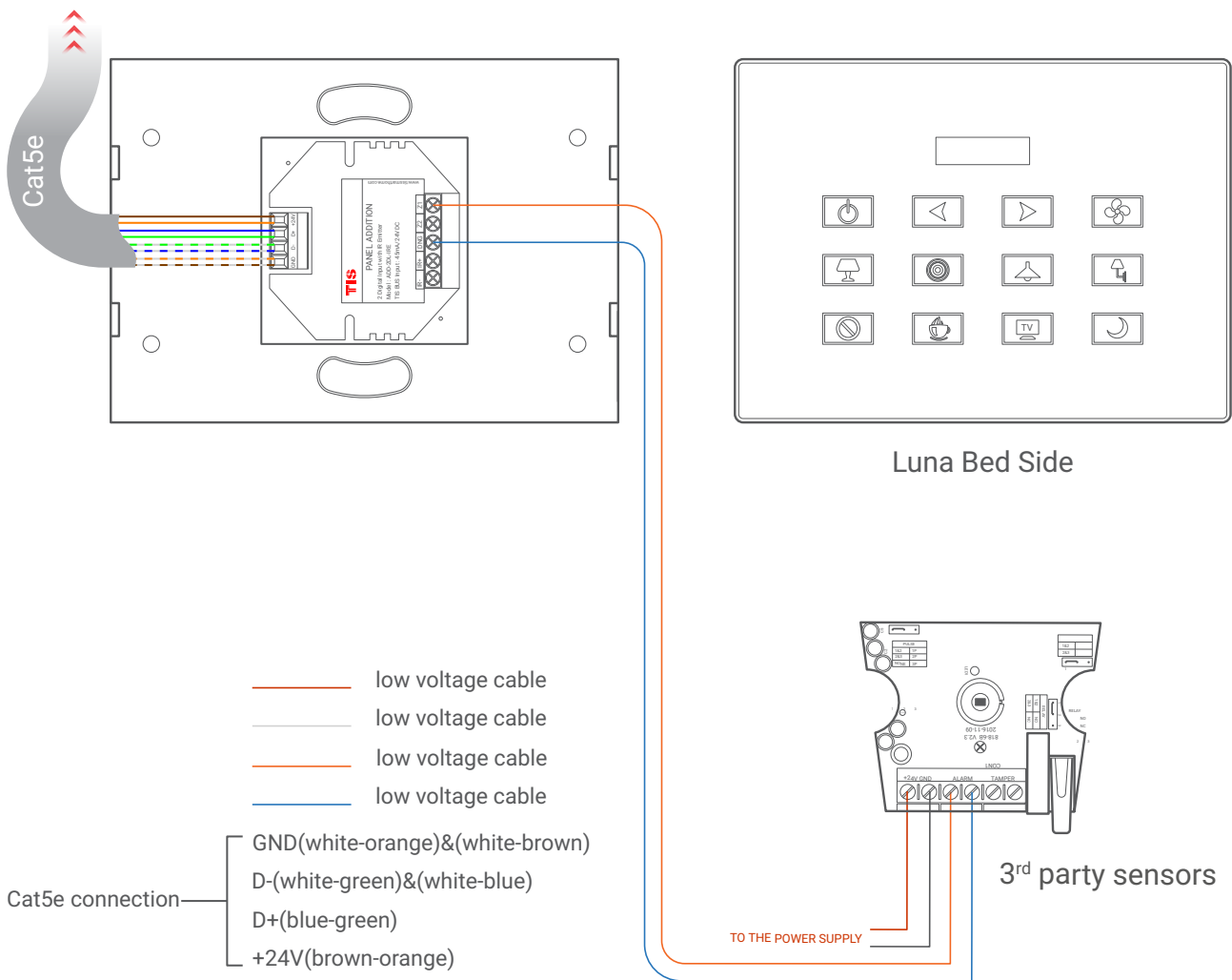
LUNA BEDSIDE PANEL

Bedside Touch Panel

Model: LUNA-BEDSIDE



to the TIS BUS Network



▲ Figure 12: Luna Bedside & ADD-2DL-IRE 3rd Party Sensor Connection Diagram



Copyright © 2020 TIS, All Rights Reserved
 TIS Logo is a Registered Trademark of Texas Intelligent System LLC in the United States of America. This company takes TIS Control Ltd. in other countries. All of the Specifications are subject to change without notice.

TEXAS INTELLIGENT SYSTEM LLC
 SUITE# 610, 860 NORTH DOROTHY DR
 RICHARDSON
 TX 75081.USA

TIS CONTROL LIMITED
 RM 1502-p9 Easey CommBldg
 253-261 Hennessy Rd Wanchai
 Hong Kong

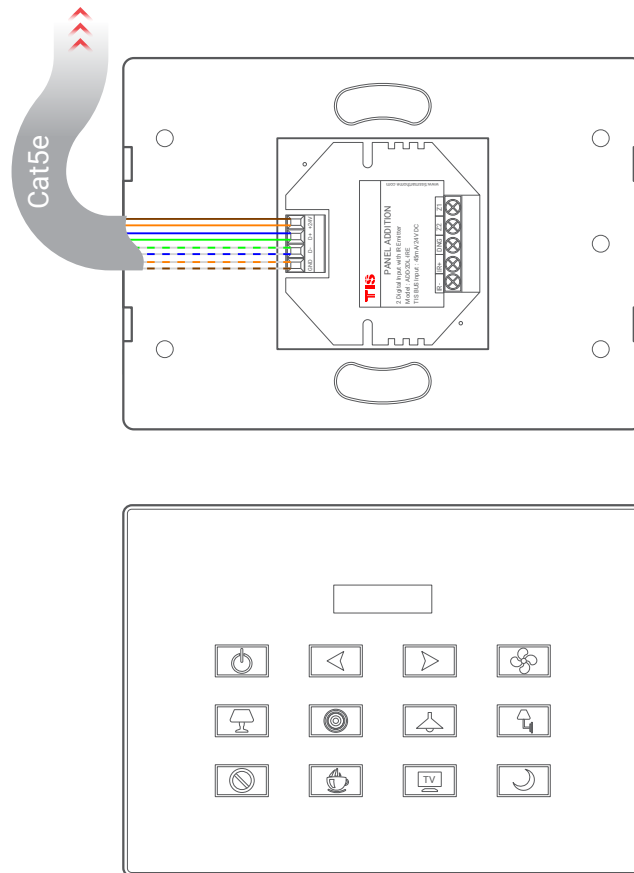
LUNA BEDSIDE PANEL

Bedside Touch Panel

Model: LUNA-BEDSIDE



to the TIS BUS Network



- Cat5e connection
- GND(white-orange)&(white-brown)
 - D-(white-green)&(white-blue)
 - D+(blue-green)
 - +24V(brown-orange)

▲ Figure 13: Luna Bed Side Bus Connection Color Coding



Copyright © 2020 TIS, All Rights Reserved
 TIS Logo is a Registered Trademark of Texas Intelligent System LLC in the United States of America. This company takes TIS Control Ltd. in other countries. All of the Specifications are subject to change without notice.

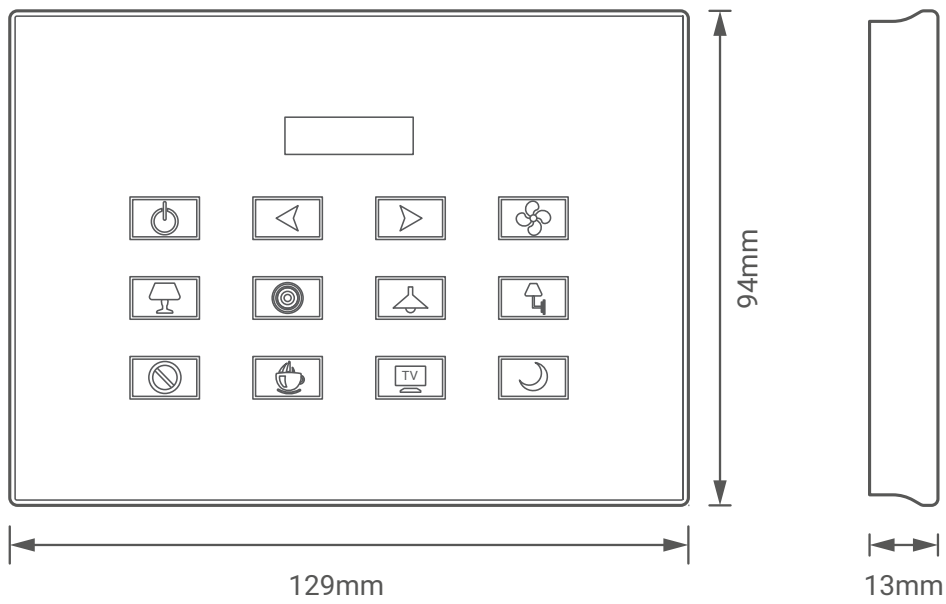
TEXAS INTELLIGENT SYSTEM LLC
 SUITE# 610, 860 NORTH DOROTHY DR
 RICHARDSON
 TX 75081,USA

TIS CONTROL LIMITED
 RM 1502-p9 Easey CommBldg
 253-261 Hennessy Rd Wanchai
 Hong Kong

LUNA BEDSIDE PANEL

Bedside Touch Panel

Model: LUNA-BEDSIDE



▲ Figure 14: Module's Dimension Diagram



Copyright © 2020 TIS, All Rights Reserved
TIS Logo is a Registered Trademark of Texas Intelligent System LLC in the United States of America. This company takes TIS Control Ltd. in other countries. All of the Specifications are subject to change without notice.

TEXAS INTELLIGENT SYSTEM LLC
SUITE# 610, 860 NORTH DOROTHY DR
RICHARDSON
TX 75081,USA

TIS CONTROL LIMITED
RM 1502-p9 Easay CommBldg
253-261 Hennessy Rd Wanchai
Hong Kong