

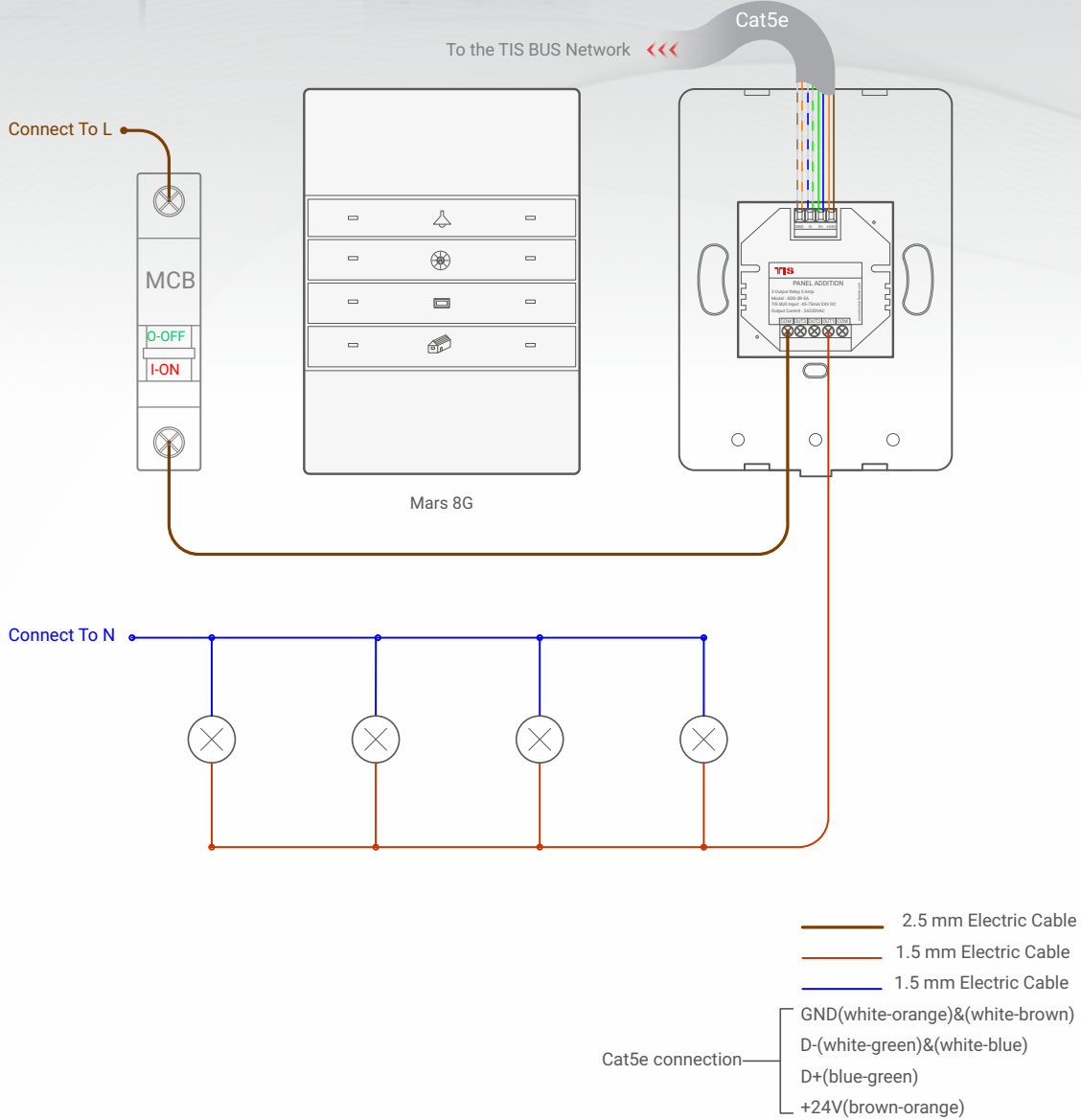


TIS MARS 8G PANEL

8-Gang Push-button Panel

Product Diagrams V 1.1

Model: MRS-8G

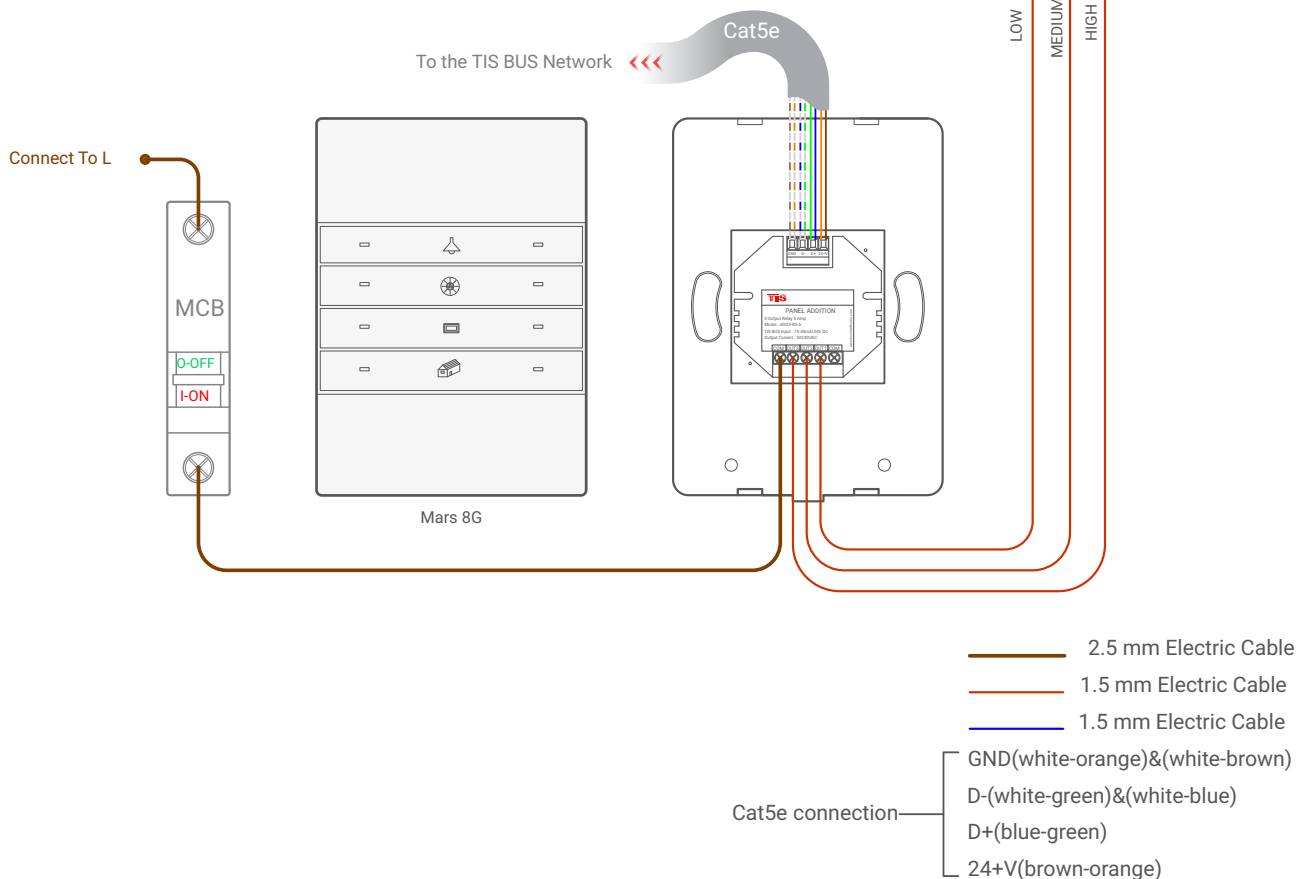
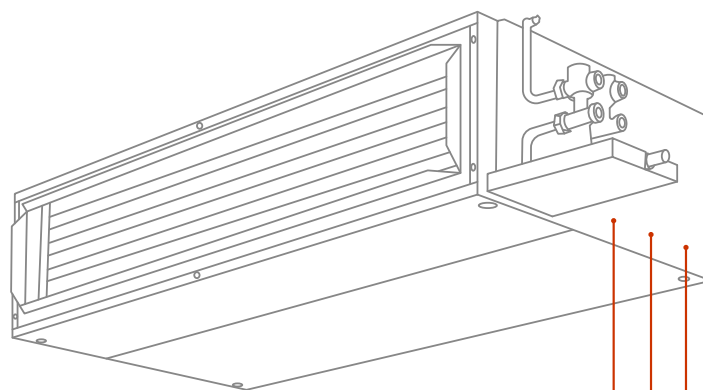


▲ Figure 1: Mars 8G & ADD-3R-5A Lights Connection Diagram

TIS MARS 8G PANEL

8-Gang Push-button Panel

Model: MRS-8G



▲ Figure 2: Mars 8G & ADD-3R-5A FCU Connection Diagram



Copyright © 2020 TIS, All Rights Reserved
 TIS Logo is a Registered Trademark of Texas Intelligent System LLC in the United States of America. This company takes TIS Control Ltd. in other countries. All of the Specifications are subject to change without notice.

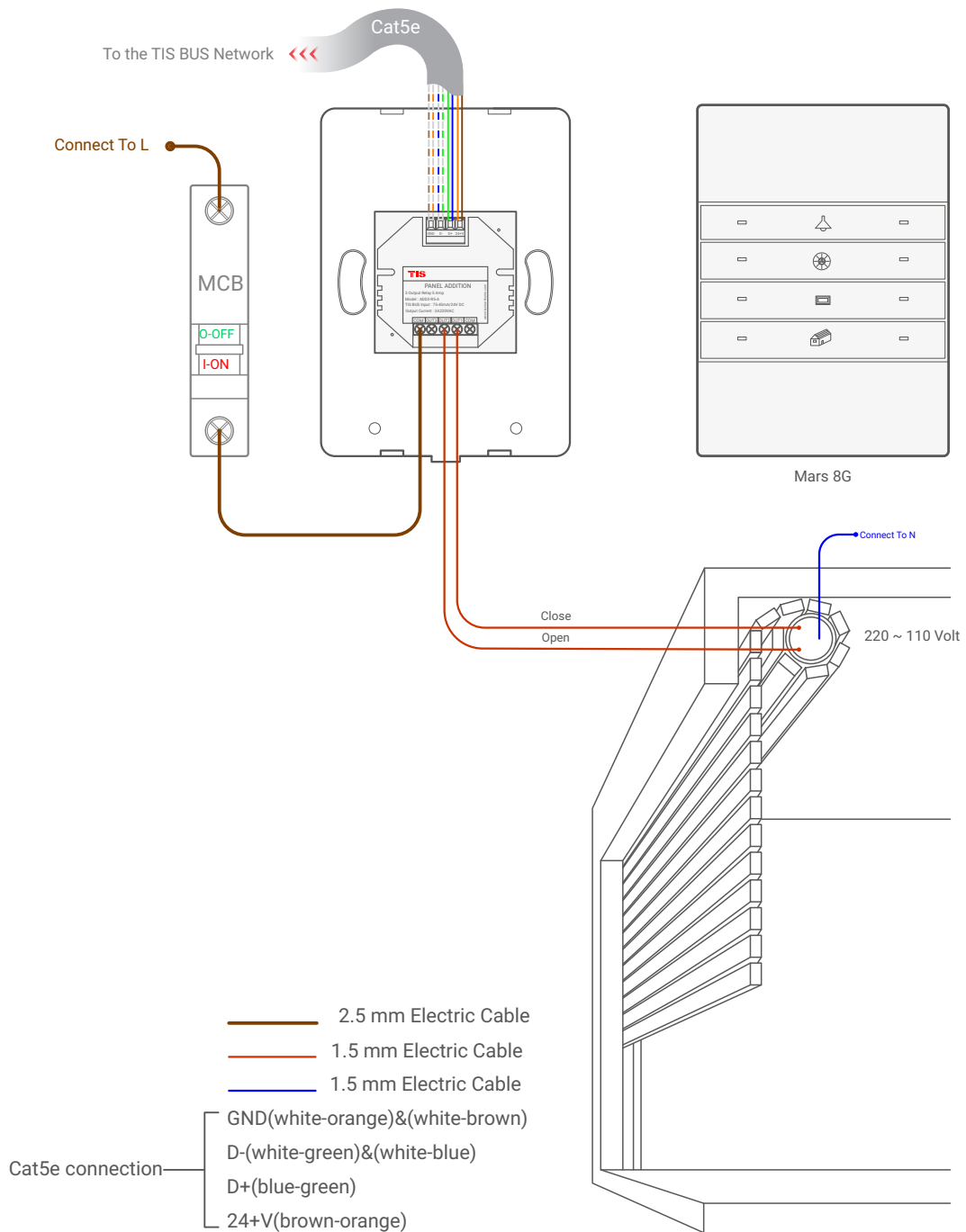
TEXAS INTELLIGENT SYSTEM LLC
 SUITE# 610, 860 NORTH DOROTHY DR
 RICHARDSON
 TX 75081.USA

TIS CONTROL LIMITED
 RM 1502-p9 Easey CommBldg
 253-261 Hennessy Rd Wanchai
 Hong Kong

TIS MARS 8G PANEL

8-Gang Push-button Panel

Model: MRS-8G



▲ Figure 3: Mars 8G & ADD-3R-5A Motors Connection Diagram



Copyright © 2020 TIS, All Rights Reserved

TIS Logo is a Registered Trademark of Texas Intelligent System LLC in the United States of America. This company takes TIS Control Ltd. in other countries. All of the Specifications are subject to change without notice.

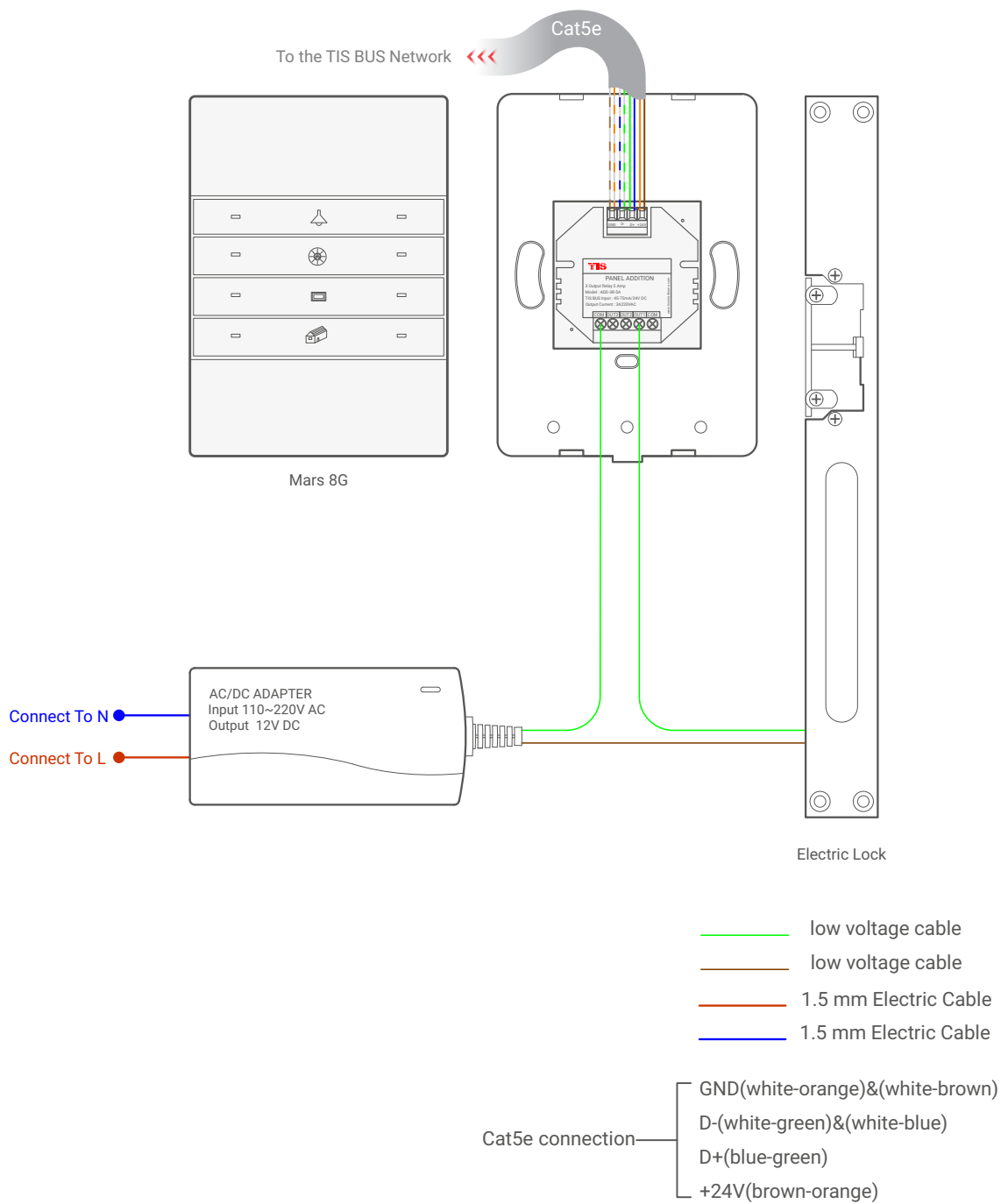
TEXAS INTELLIGENT SYSTEM LLC
SUITE# 610, 860 NORTH DOROTHY DR
RICHARDSON
TX 75081.USA

TIS CONTROL LIMITED
RM 1502-p9 Easey CommBldg
253-261 Hennessy Rd Wanchai
Hong Kong

TIS MARS 8G PANEL

8-Gang Push-button Panel

Model: MRS-8G



▲ Figure 4: Mars 8G & ADD-3R-5A Electric Lock Connection Diagram



Copyright © 2020 TIS, All Rights Reserved
TIS Logo is a Registered Trademark of Texas Intelligent System LLC in the United States of America. This company takes TIS Control Ltd. in other countries. All of the Specifications are subject to change without notice.

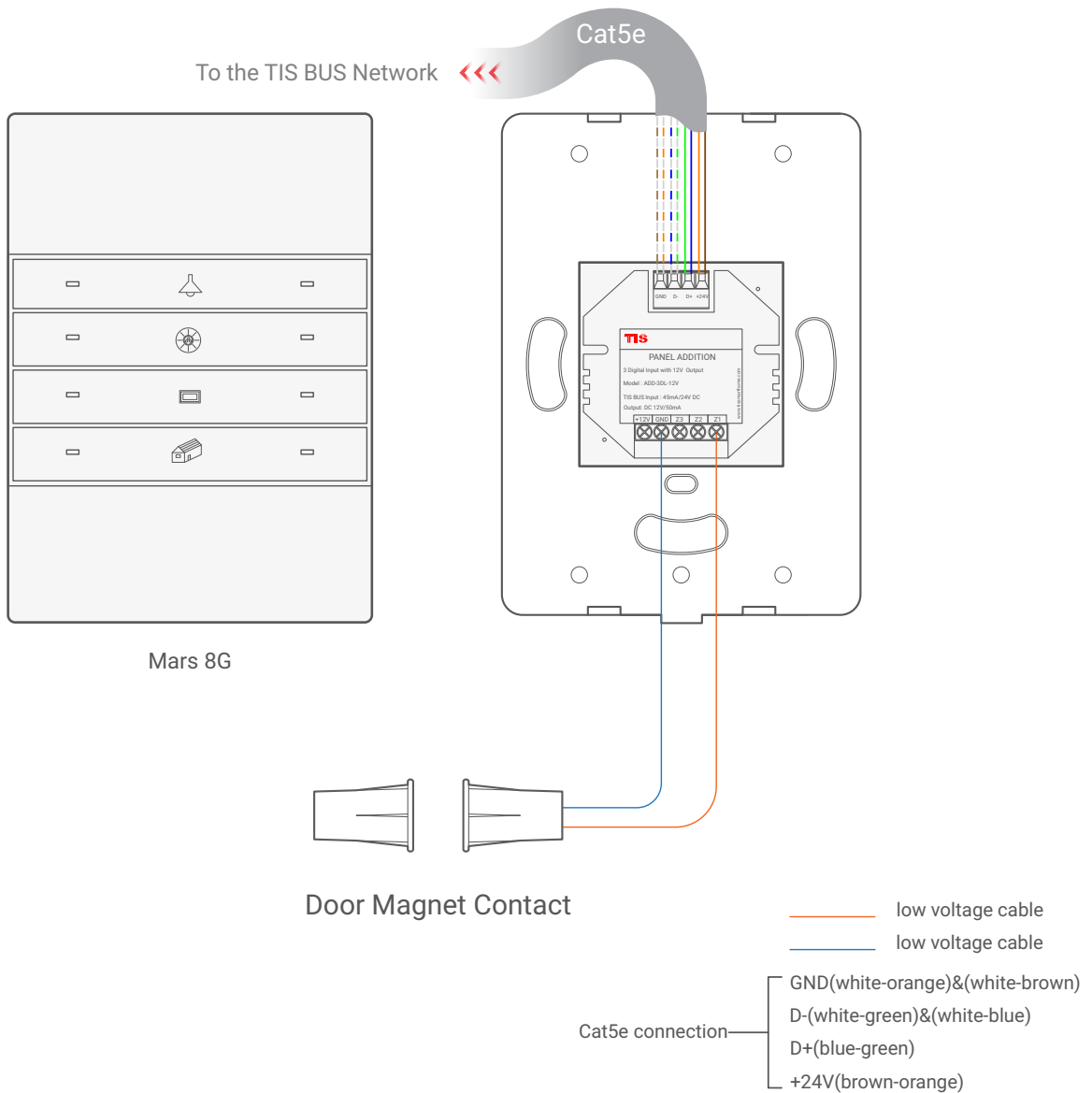
TEXAS INTELLIGENT SYSTEM LLC
SUITE# 610, 860 NORTH DOROTHY DR
RICHARDSON
TX 75081,USA

TIS CONTROL LIMITED
RM 1502-p9 Easay CommBldg
253-261 Hennessy Rd Wanchai
Hong Kong

TIS MARS 8G PANEL

8-Gang Push-button Panel

Model: MRS-8G



▲ Figure 5: Mars 8G & ADD-3DL-12V Magnetic Door Contact Connection Diagram



Copyright © 2020 TIS, All Rights Reserved
 TIS Logo is a Registered Trademark of Texas Intelligent System LLC in the United States of America. This company takes TIS Control Ltd. in other countries. All of the Specifications are subject to change without notice.

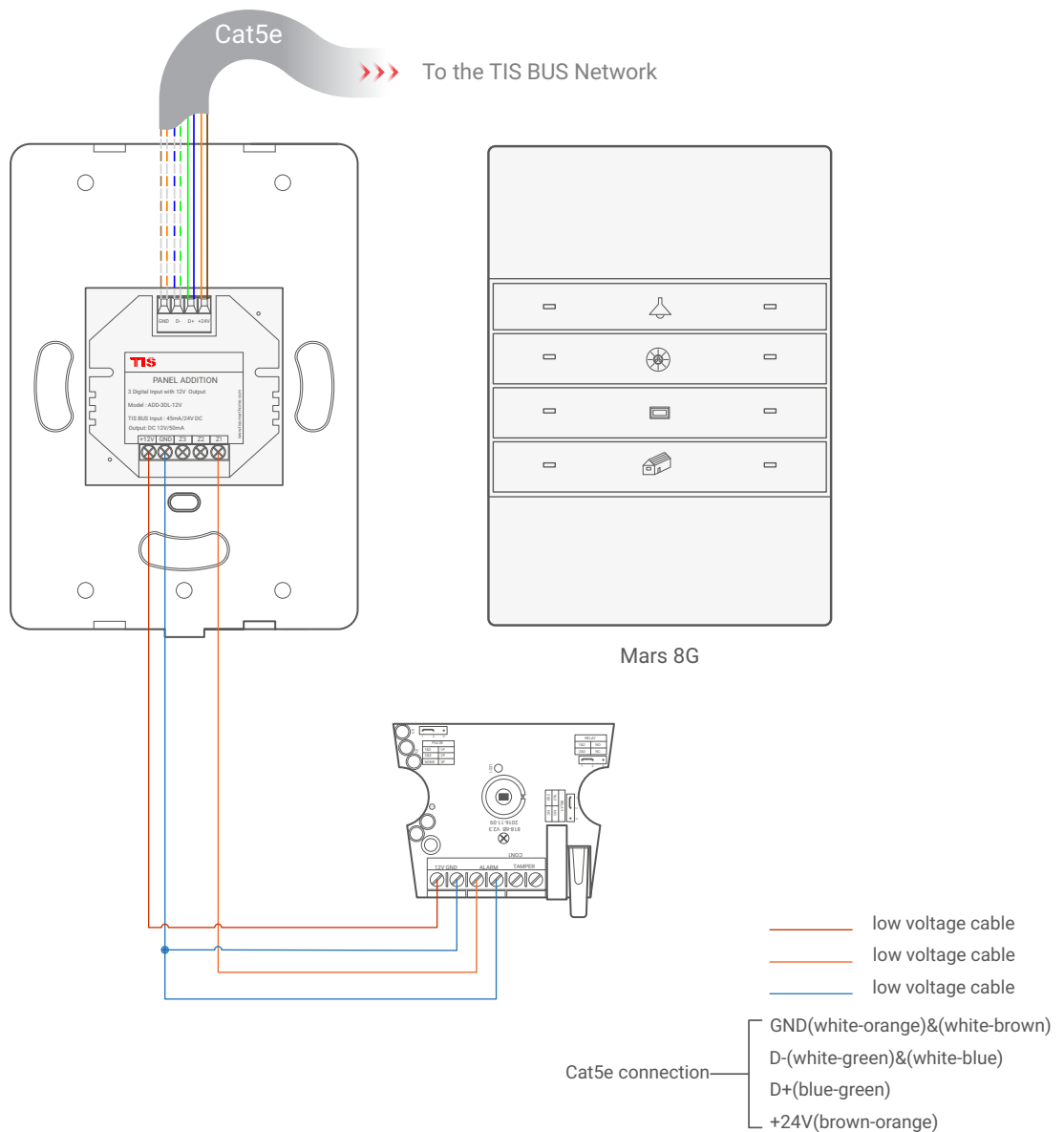
TEXAS INTELLIGENT SYSTEM LLC
 SUITE# 610, 860 NORTH DOROTHY DR
 RICHARDSON
 TX 75081.USA

TIS CONTROL LIMITED
 RM 1502-p9 Easey CommBldg
 253-261 Hennessy Rd Wanchai
 Hong Kong

TIS MARS 8G PANEL

8-Gang Push-button Panel

Model: MRS-8G



▲ Figure 6: Mars 8G & ADD-3DL-12V 3rd Party Sensor Connection Diagram



Copyright © 2020 TIS. All Rights Reserved
 TIS Logo is a Registered Trademark of Texas Intelligent System LLC in the United States of America. This company takes TIS Control Ltd. in other countries. All of the Specifications are subject to change without notice.

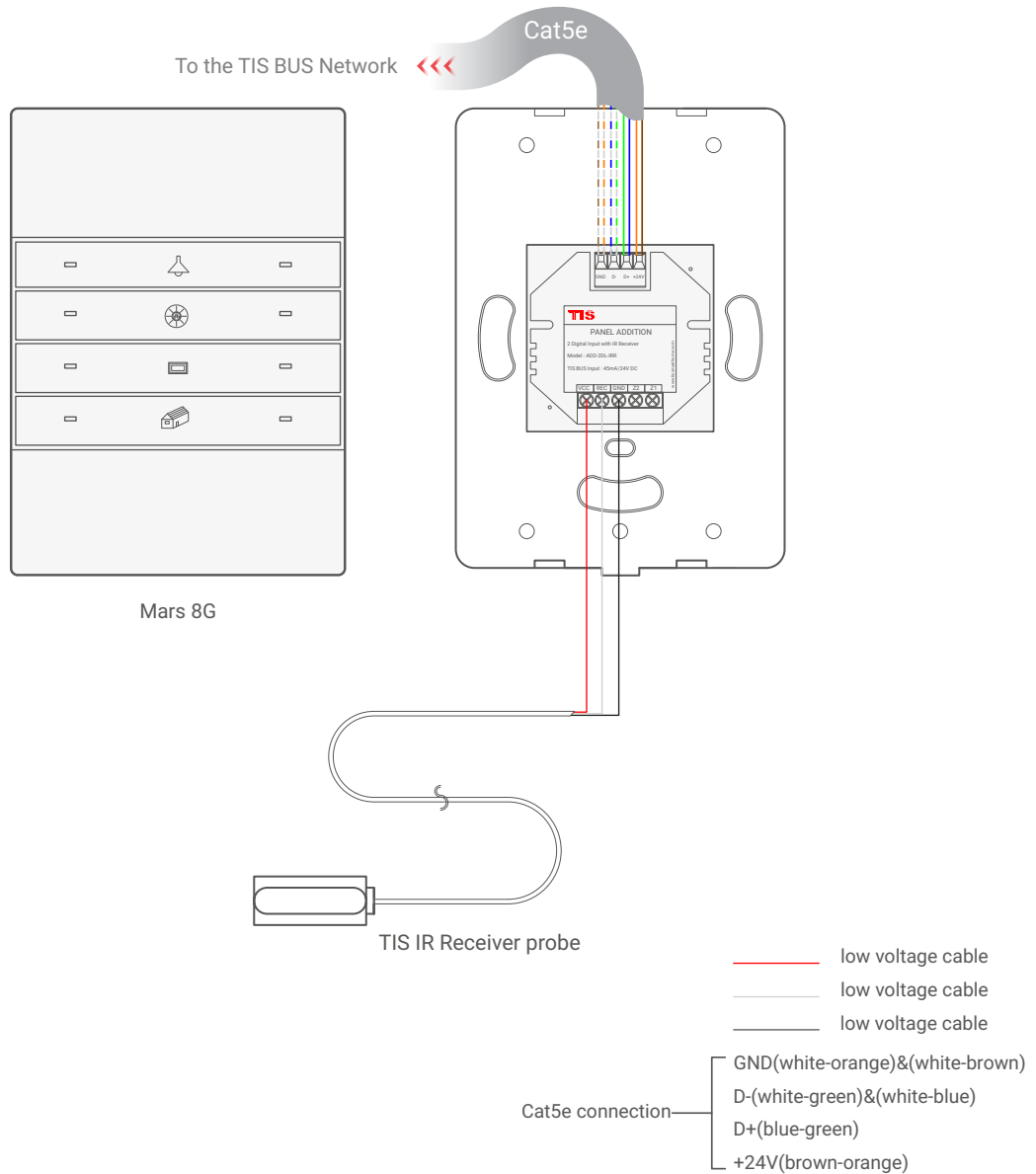
TEXAS INTELLIGENT SYSTEM LLC
 SUITE# 610, 860 NORTH DOROTHY DR
 RICHARDSON
 TX 75081.USA

TIS CONTROL LIMITED
 RM 1502-p9 Easey CommBldg
 253-261 Hennessy Rd Wanchai
 Hong Kong

TIS MARS 8G PANEL

8-Gang Push-button Panel

Model: MRS-8G



▲ Figure 7: Mars 8G & ADD-2DL-IRR Connection Diagram



Copyright © 2020 TIS, All Rights Reserved
TIS Logo is a Registered Trademark of Texas Intelligent System LLC in the United States of America. This company takes TIS Control Ltd. in other countries. All of the Specifications are subject to change without notice.

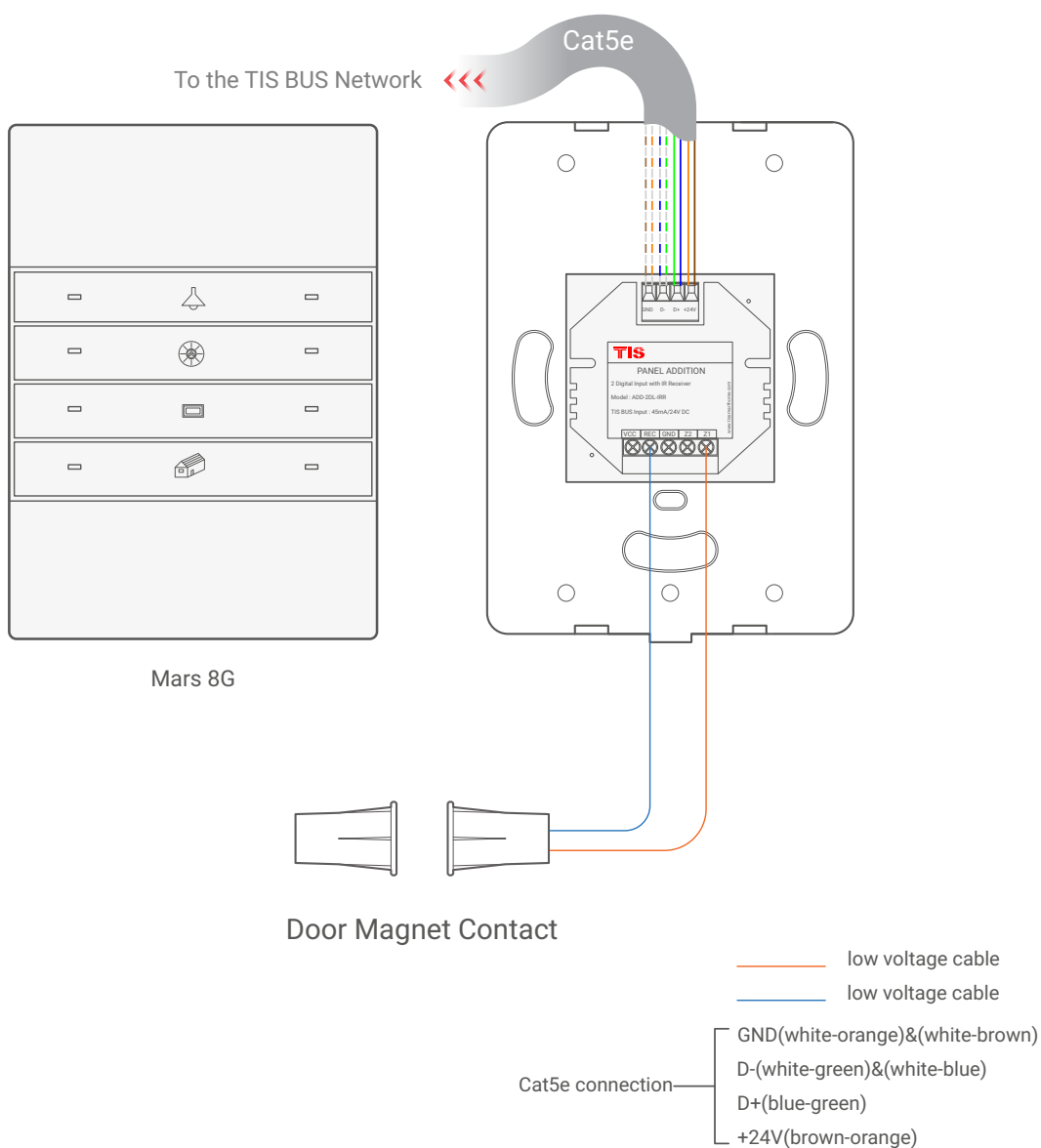
TEXAS INTELLIGENT SYSTEM LLC
SUITE# 610, 860 NORTH DOROTHY DR
RICHARDSON
TX 75081.USA

TIS CONTROL LIMITED
RM 1502-p9 Easey CommBldg
253-261 Hennessy Rd Wanchai
Hong Kong

TIS MARS 8G PANEL

8-Gang Push-button Panel

Model: MRS-8G



▲ Figure 8: Mars 8G & ADD-2DL-IRR Magnetic Door Contact Connection Diagram



Copyright © 2020 TIS, All Rights Reserved
TIS Logo is a Registered Trademark of Texas Intelligent System LLC in the United States of America. This company takes TIS Control Ltd. in other countries. All of the Specifications are subject to change without notice.

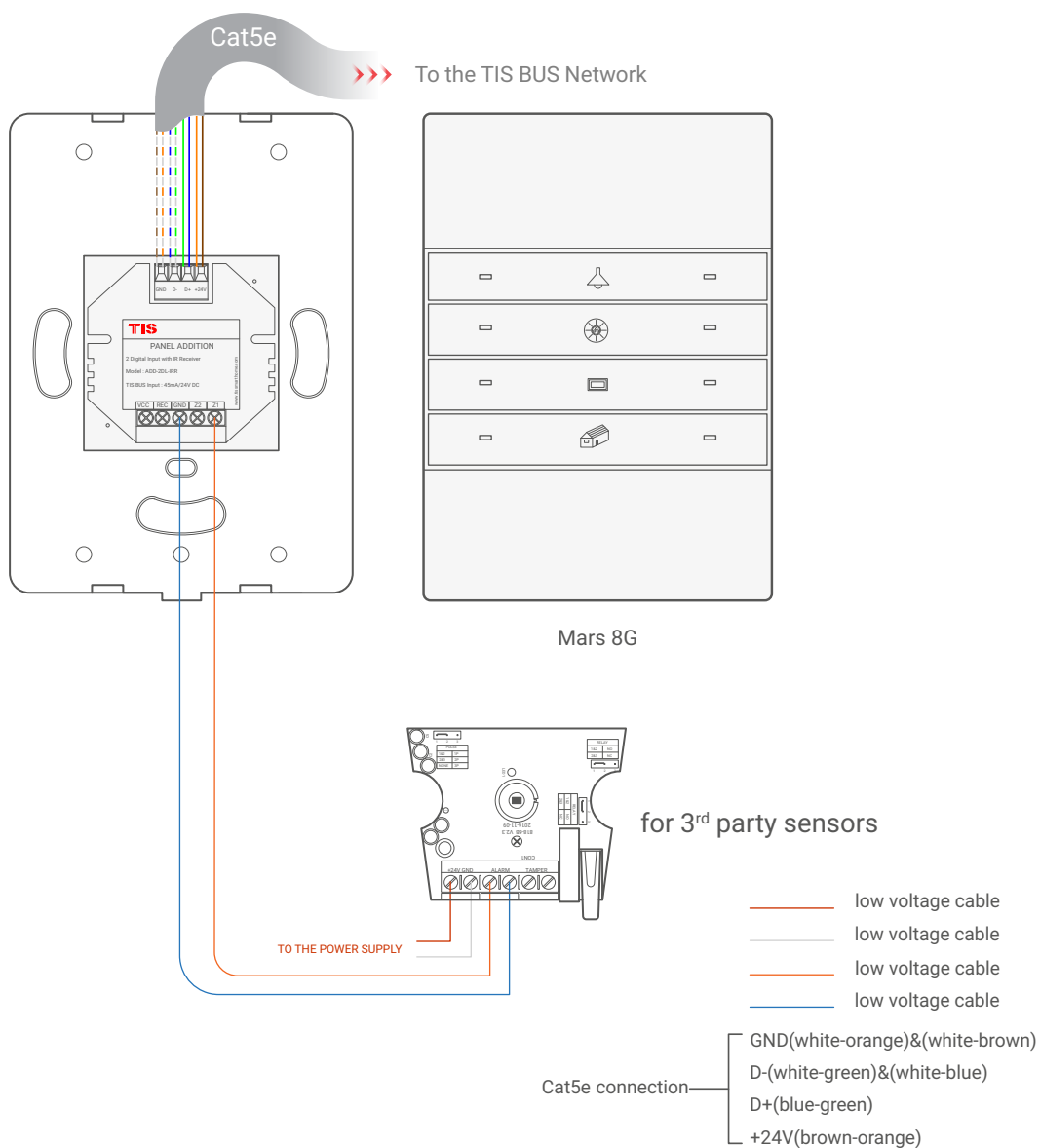
TEXAS INTELLIGENT SYSTEM LLC
SUITE# 610, 860 NORTH DOROTHY DR
RICHARDSON
TX 75081.USA

TIS CONTROL LIMITED
RM 1502-p9 Eassey CommBldg
253-261 Hennessy Rd Wanchai
Hong Kong

TIS MARS 8G PANEL

8-Gang Push-button Panel

Model: MRS-8G



▲ Figure 9: Mars 8G & ADD-2DL-IRR 3rd Party Sensor Connection Diagram



Copyright © 2020 TIS, All Rights Reserved
 TIS Logo is a Registered Trademark of Texas Intelligent System LLC in the United States of America. This company takes TIS Control Ltd. in other countries. All of the Specifications are subject to change without notice.

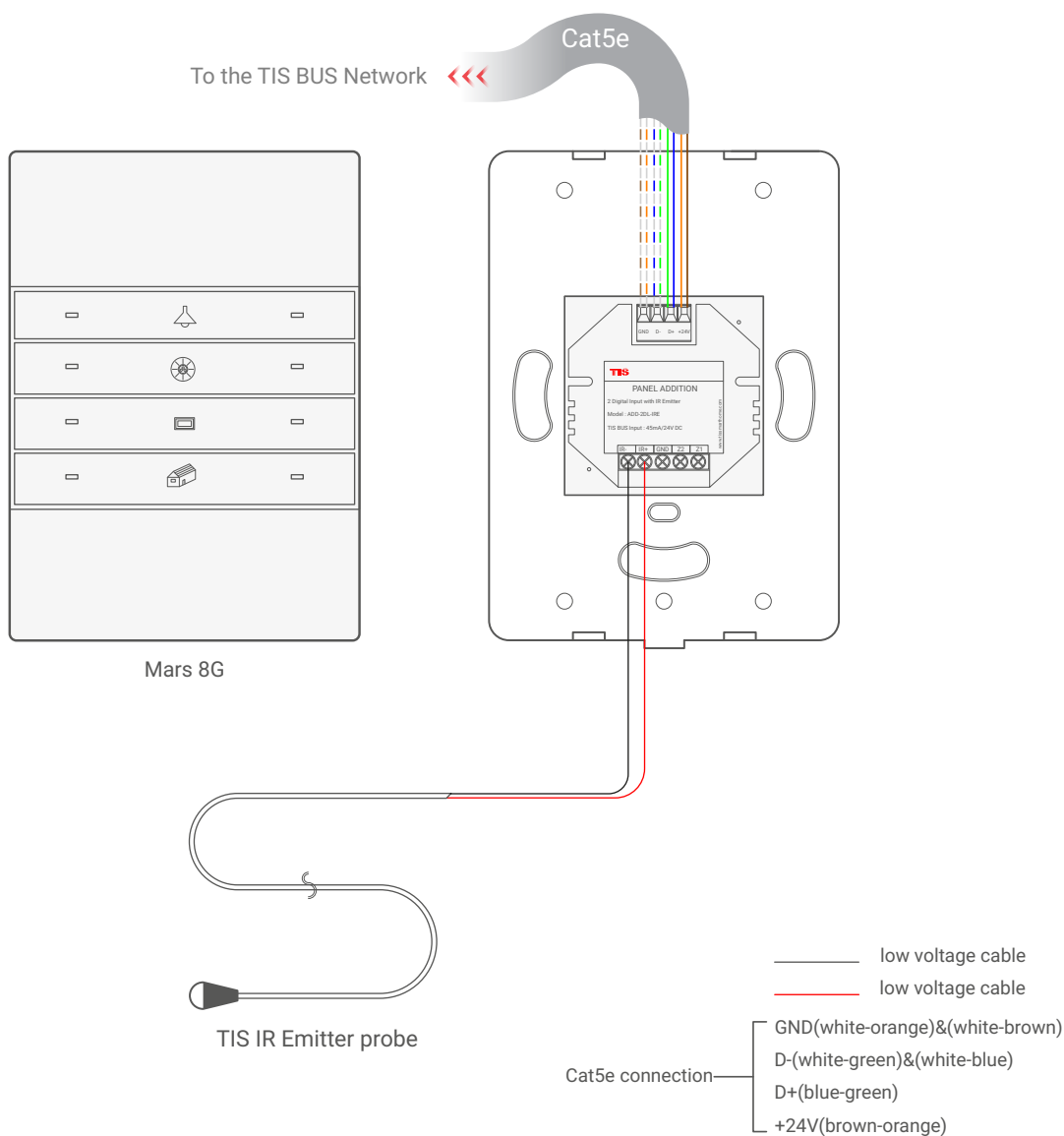
TEXAS INTELLIGENT SYSTEM LLC
 SUITE# 610, 860 NORTH DOROTHY DR
 RICHARDSON
 TX 75081.USA

TIS CONTROL LIMITED
 RM 1502-p9 Easey CommBldg
 253-261 Hennessy Rd Wanchai
 Hong Kong

TIS MARS 8G PANEL

8-Gang Push-button Panel

Model: MRS-8G



▲ Figure 10: Mars 8G & ADD-2DL-IRE Connection Diagram



Copyright © 2020 TIS, All Rights Reserved
 TIS Logo is a Registered Trademark of Texas Intelligent System LLC in the United States of America. This company takes TIS Control Ltd. in other countries. All of the Specifications are subject to change without notice.

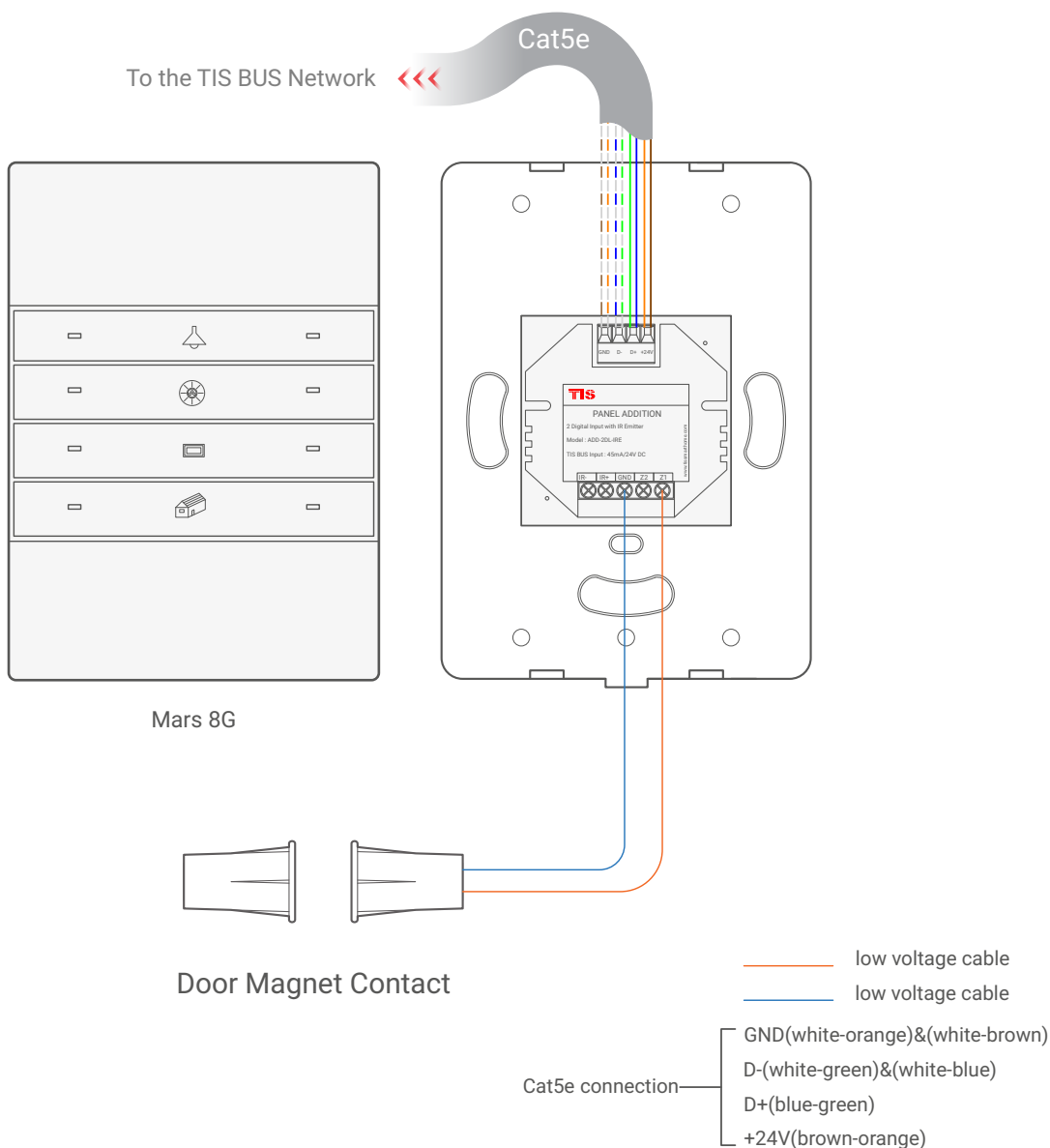
TEXAS INTELLIGENT SYSTEM LLC
 SUITE# 610, 860 NORTH DOROTHY DR
 RICHARDSON
 TX 75081.USA

TIS CONTROL LIMITED
 RM 1502-p9 Easey CommBldg
 253-261 Hennessy Rd Wanchai
 Hong Kong

TIS MARS 8G PANEL

8-Gang Push-button Panel

Model: MRS-8G



▲ Figure 11: Mars 8G & ADD-2DL-IRE Magnetic Door Contact Connection Diagram



Copyright © 2020 TIS, All Rights Reserved
 TIS Logo is a Registered Trademark of Texas Intelligent System LLC in the United States of America. This company takes TIS Control Ltd. in other countries. All of the Specifications are subject to change without notice.

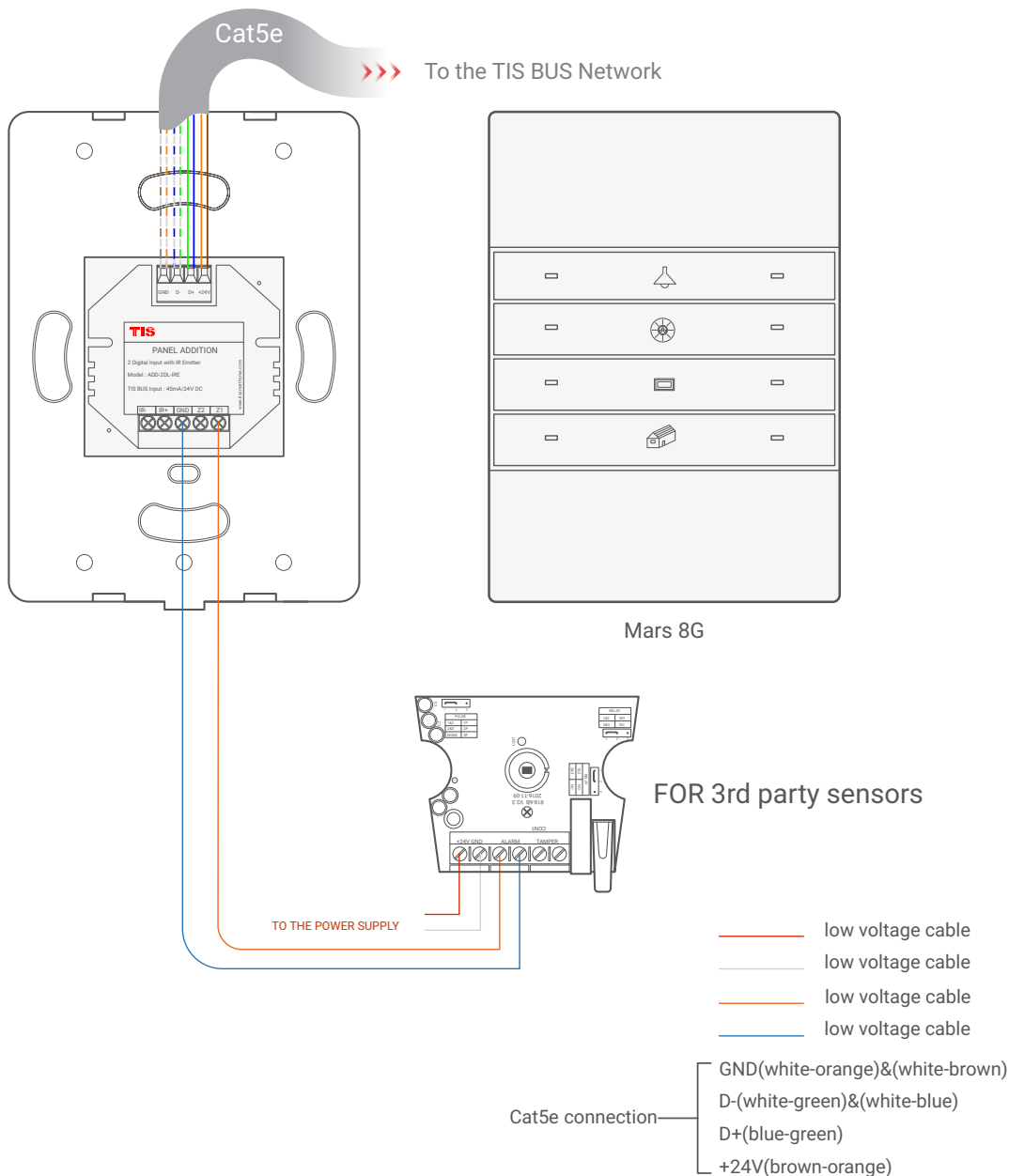
TEXAS INTELLIGENT SYSTEM LLC
 SUITE# 610, 860 NORTH DOROTHY DR
 RICHARDSON
 TX 75081.USA

TIS CONTROL LIMITED
 RM 1502-p9 Eassey CommBldg
 253-261 Hennessy Rd Wanchai
 Hong Kong

TIS MARS 8G PANEL

8-Gang Push-button Panel

Model: MRS-8G



▲ Figure 12: Mars 8G & ADD-2DL-IRE 3rd Party Sensor Connection Diagram



Copyright © 2020 TIS, All Rights Reserved
 TIS Logo is a Registered Trademark of Texas Intelligent System LLC in the United States of America. This company takes TIS Control Ltd. in other countries. All of the Specifications are subject to change without notice.

TEXAS INTELLIGENT SYSTEM LLC
 SUITE# 610, 860 NORTH DOROTHY DR
 RICHARDSON
 TX 75081.USA

TIS CONTROL LIMITED
 RM 1502-p9 Eassey CommBldg
 253-261 Hennessy Rd Wanchai
 Hong Kong

TIS MARS 8G PANEL

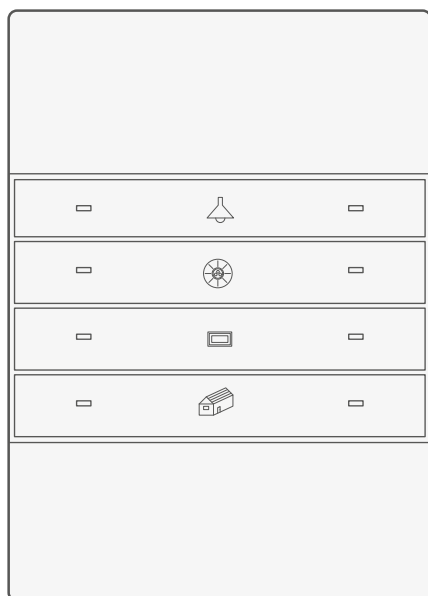
8-Gang Push-button Panel

Model: MRS-8G

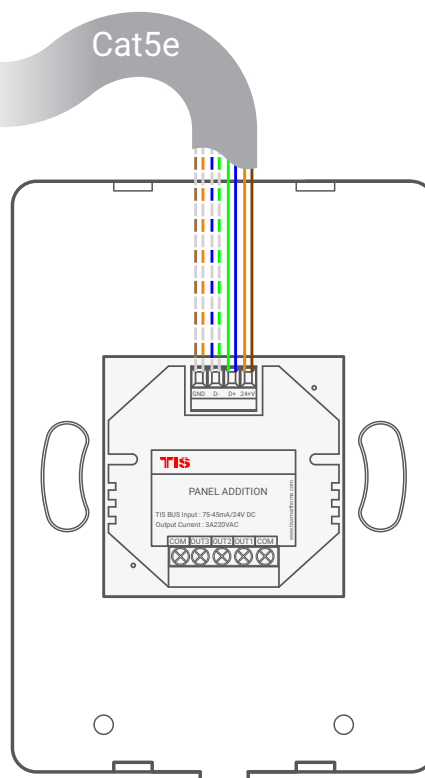


To the TIS BUS Network <<<<

Cat5e



Mars 8G



- Cat5e connection
- GND(white-orange)&(white-brown)
 - D-(white-green)&(white-blue)
 - D+(blue-green)
 - +24V(brown-orange)

▲ Figure 13: Bus Connection Color Coding



Copyright © 2020 TIS, All Rights Reserved
 TIS Logo is a Registered Trademark of Texas Intelligent System LLC in the United States of America. This company takes TIS Control Ltd. in other countries. All of the Specifications are subject to change without notice.

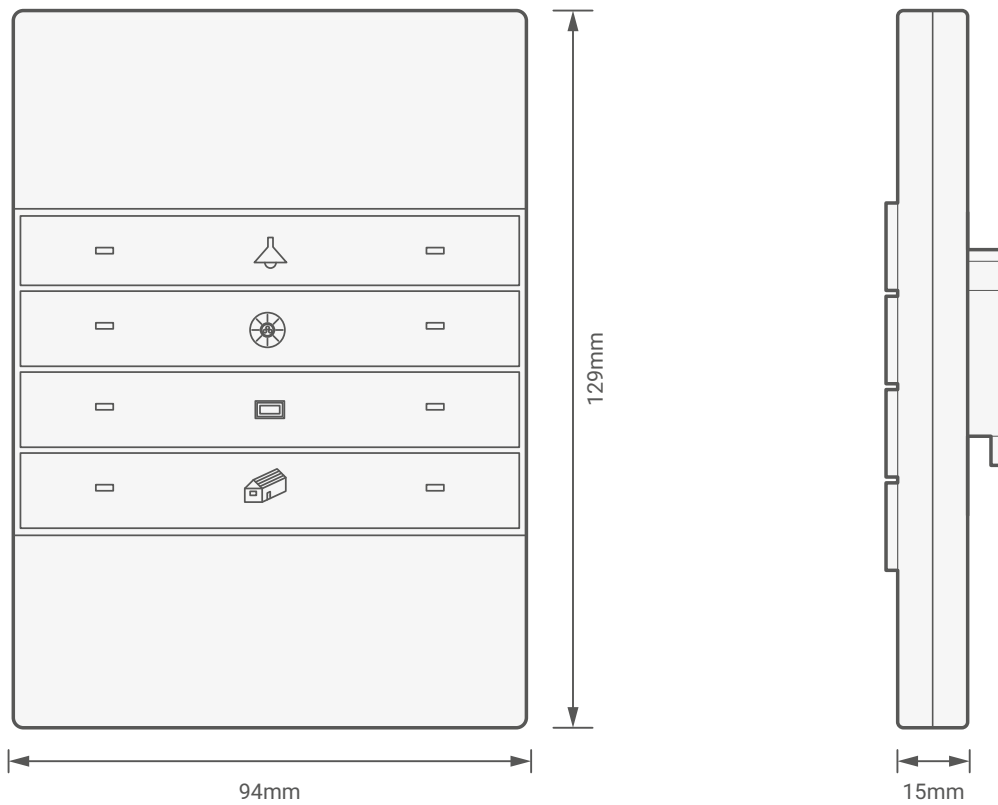
TEXAS INTELLIGENT SYSTEM LLC
 SUITE# 610, 860 NORTH DOROTHY DR
 RICHARDSON
 TX 75081.USA

TIS CONTROL LIMITED
 RM 1502-p9 Easey CommBldg
 253-261 Hennessy Rd Wanchai
 Hong Kong

TIS MARS 8G PANEL

8-Gang Push-button Panel

Model: MRS-8G



▲ Figure 14: Module's Dimension Diagram



Copyright © 2020 TIS, All Rights Reserved
TIS Logo is a Registered Trademark of Texas Intelligent System LLC in the United States of America. This company takes TIS Control Ltd. in other countries. All of the Specifications are subject to change without notice.

TEXAS INTELLIGENT SYSTEM LLC
SUITE# 610, 860 NORTH DOROTHY DR
RICHARDSON
TX 75081.USA

TIS CONTROL LIMITED
RM 1502-p9 Easey CommBldg
253-261 Hennessy Rd Wanchai
Hong Kong