

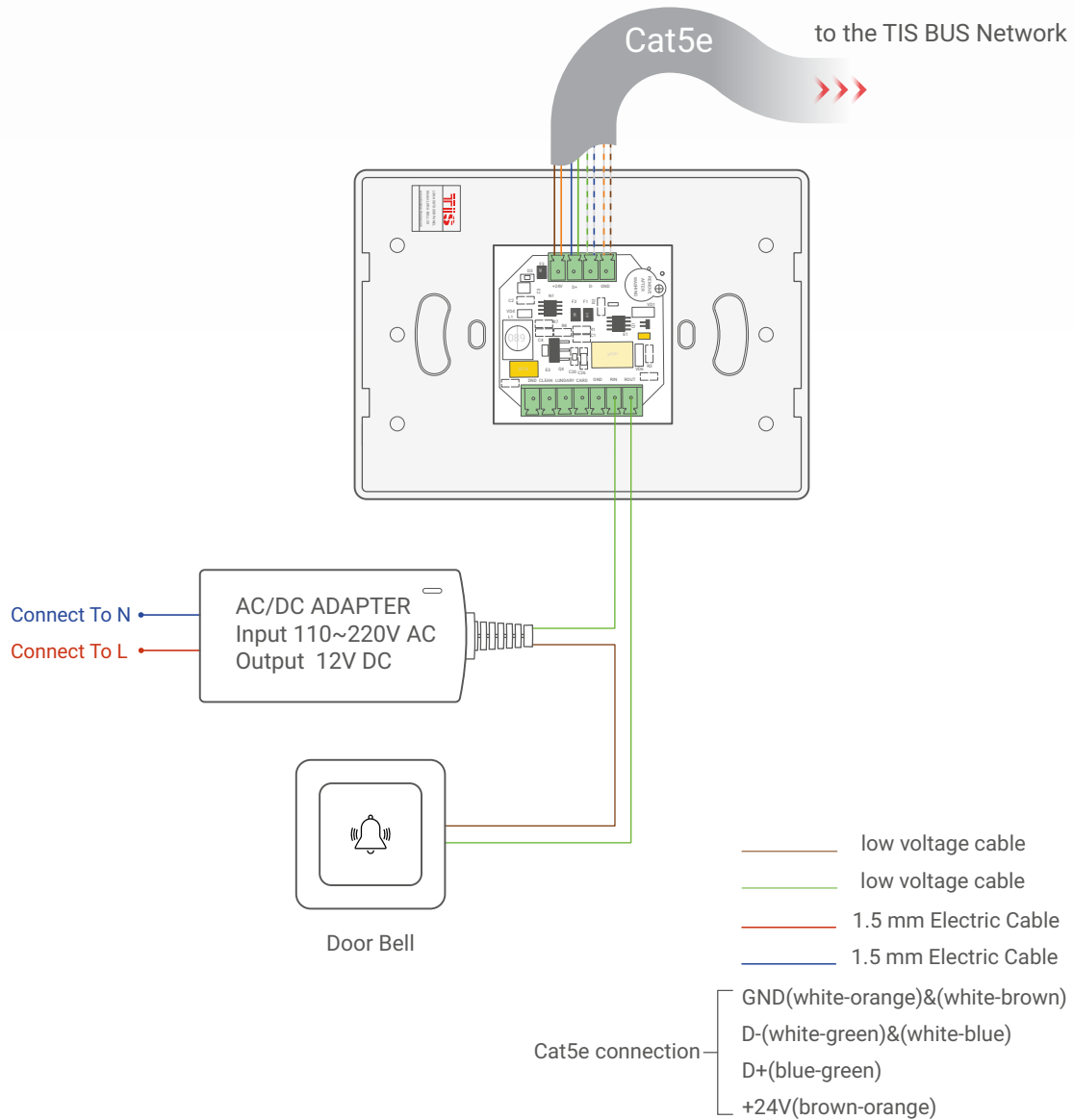


LUNA HOTEL INTERFACE

Room Interface with Service Indicators

Product Diagrams V 1.1

Model: LUNA-BELL-3S

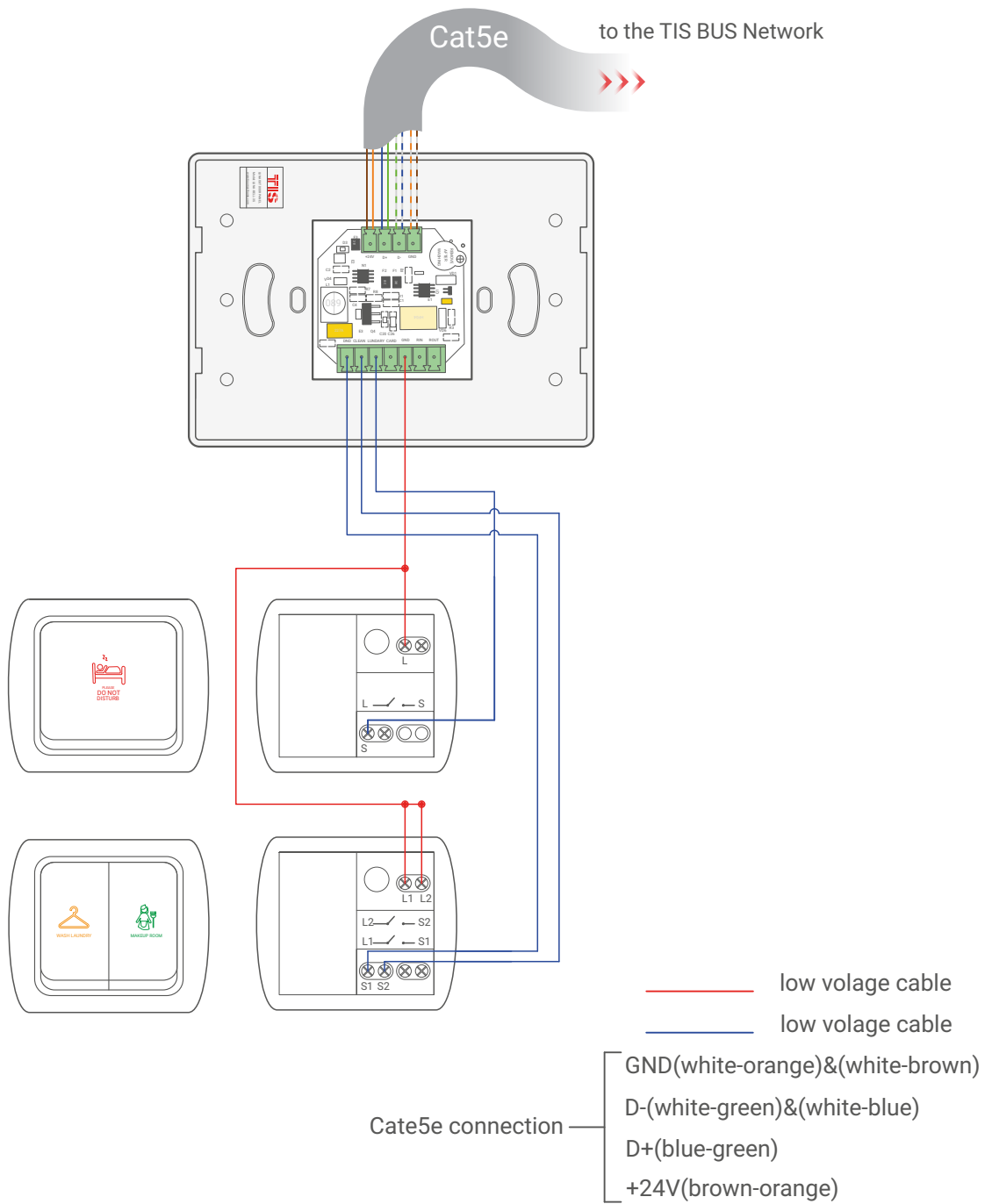


▲ Figure 1: LUNA-BELL-3S & Door Bell Unit Connection Diagram

LUNA HOTEL INTERFACE

Room Interface with Service Indicators

Model: LUNA-BELL-3S



▲ Figure 2: LUNA-BELL-3S & Door Bell Unit Connection Diagram



Copyright © 2020 TIS, All Rights Reserved
 TIS Logo is a Registered Trademark of Texas Intelligent System LLC in the United States of America. This company takes TIS Control Ltd. in other countries. All of the Specifications are subject to change without notice.

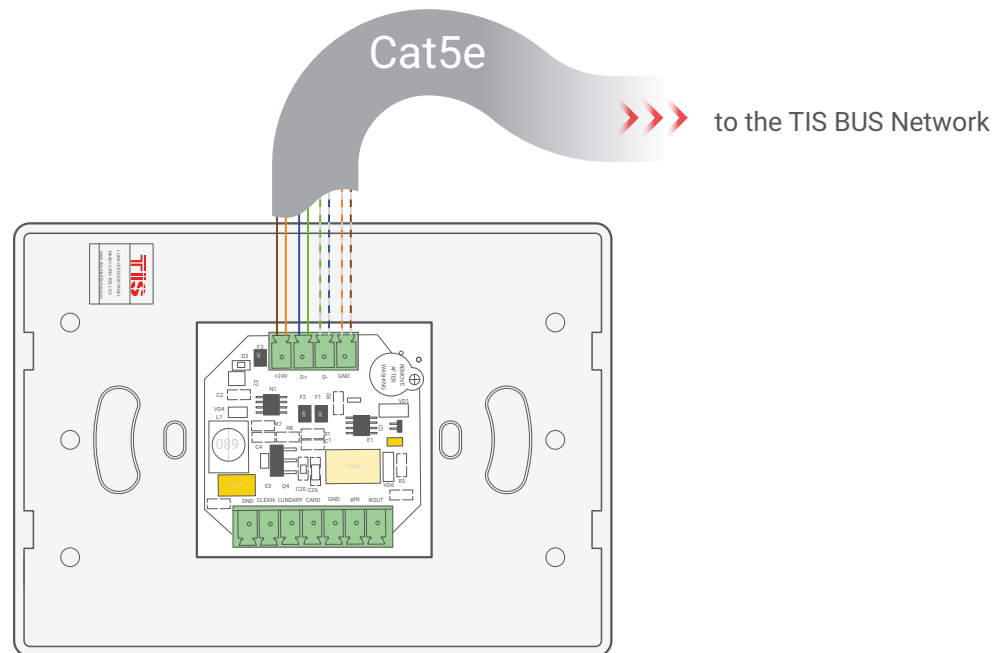
TEXAS INTELLIGENT SYSTEM LLC
 SUITE# 610, 860 NORTH DOROTHY DR
 RICHARDSON
 TX 75081.USA

TIS CONTROL LIMITED
 RM 1502-p9 Easay CommBldg
 253-261 Hennessy Rd Wanchai
 Hong Kong

LUNA HOTEL INTERFACE

Room Interface with Service Indicators

Model: LUNA-BELL-3S



- Cat5e connection
- GND(white-orange)&(white-brown)
 - D-(white-green)&(white-blue)
 - D+(blue-green)
 - +24V(brown-orange)

▲ Figure 3: LUNA-BELL-3S Module's Bus Connection Color Coding



Copyright © 2020 TIS, All Rights Reserved
TIS Logo is a Registered Trademark of Texas Intelligent System LLC in the United States of America. This company takes TIS Control Ltd. in other countries. All of the Specifications are subject to change without notice.

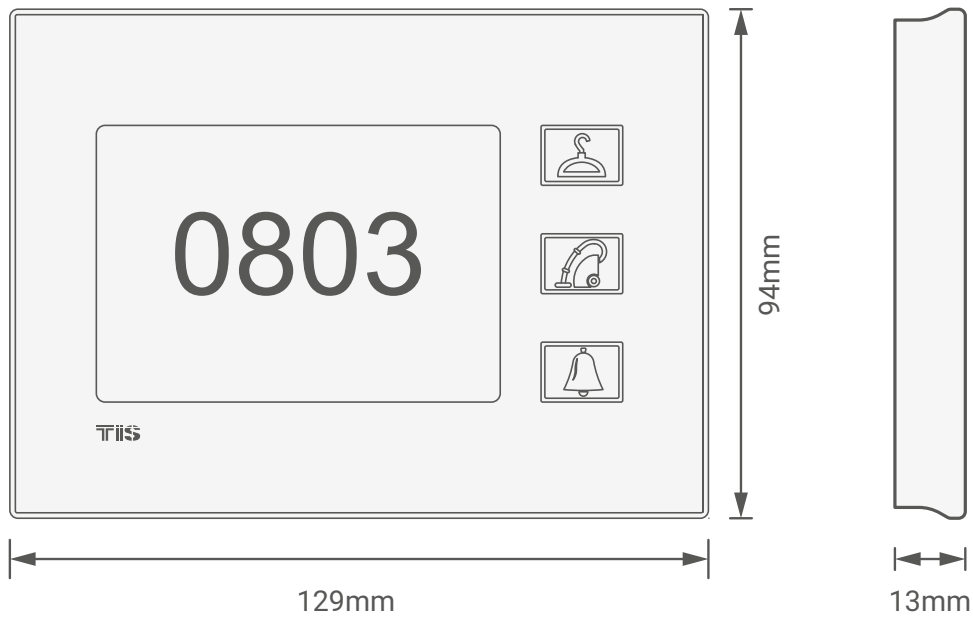
TEXAS INTELLIGENT SYSTEM LLC
SUITE# 610, 860 NORTH DOROTHY DR
RICHARDSON
TX 75081.USA

TIS CONTROL LIMITED
RM 1502-p9 Eassey CommBldg
253-261 Hennessy Rd Wanchai
Hong Kong

LUNA HOTEL INTERFACE

Room Interface with Service Indicators

Model: LUNA-BELL-3S



▲ Figure 4: LUNA-BELL-3S Module's Dimensions



Copyright © 2020 TIS, All Rights Reserved
TIS Logo is a Registered Trademark of Texas Intelligent System LLC in the United States of America. This company takes TIS Control Ltd. in other countries. All of the Specifications are subject to change without notice.

TEXAS INTELLIGENT SYSTEM LLC
SUITE# 610, 860 NORTH DOROTHY DR
RICHARDSON
TX 75081.USA

TIS CONTROL LIMITED
RM 1502-p9 Easey CommBldg
253-261 Hennessy Rd Wanchai
Hong Kong