

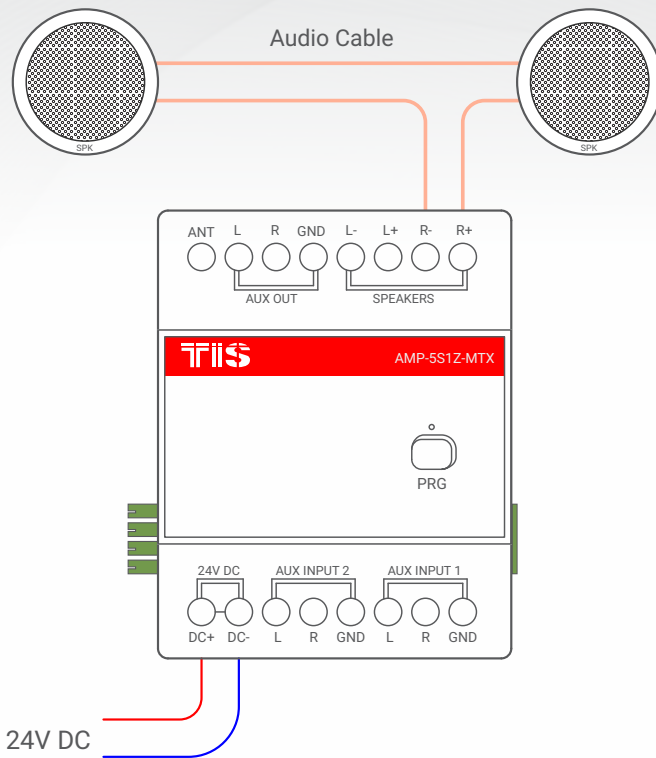


TIS AUDIO PLAYER

Player / Amplifier 1 Zone 5 Sources

Product Diagrams V 1.1

Model: AMP-5S1Z-MTX



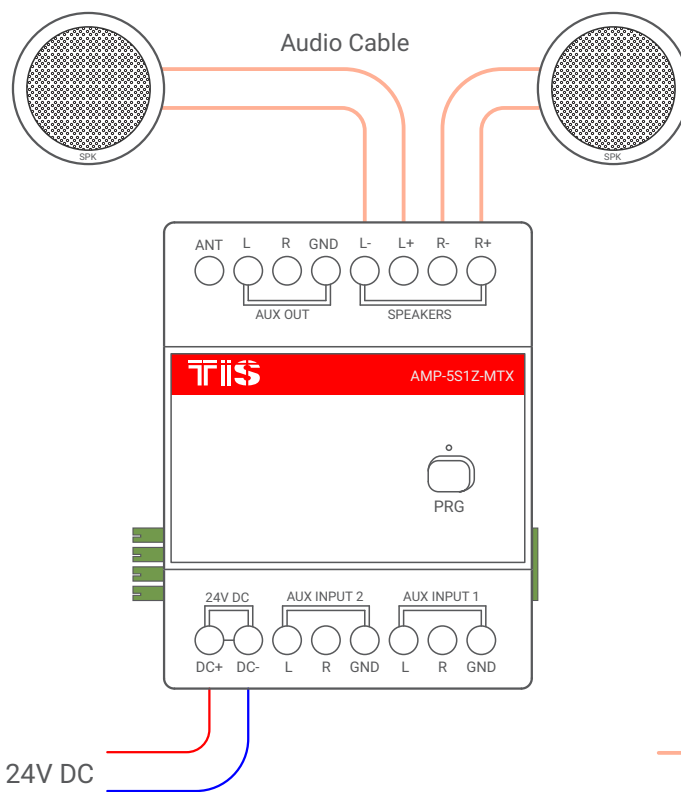
Cat5e connection [D-(white-green)&(white-blue)
D+(blue-green)

▲ Figure 1: Ceiling-Mount Speaker Connection Diagram (Series Circuit)

TIS AUDIO PLAYER

Player / Amplifier 1 Zone 5 Sources

Model: AMP-5S1Z-MTX



Connect to power supply 24V DC

- Audio Cable
- Low voltage cable
- Low voltage cable

Cat5e connection [D-(white-green)&(white-blue)
D+(blue-green)

▲ Figure 2: Ceiling-Mount Speaker Connection Diagram (Parallel Circuit)



Copyright © 2020 TIS, All Rights Reserved
TIS Logo is a Registered Trademark of Texas Intelligent System LLC in the United States of America. This company takes TIS Control Ltd. in other countries. All of the Specifications are subject to change without notice.

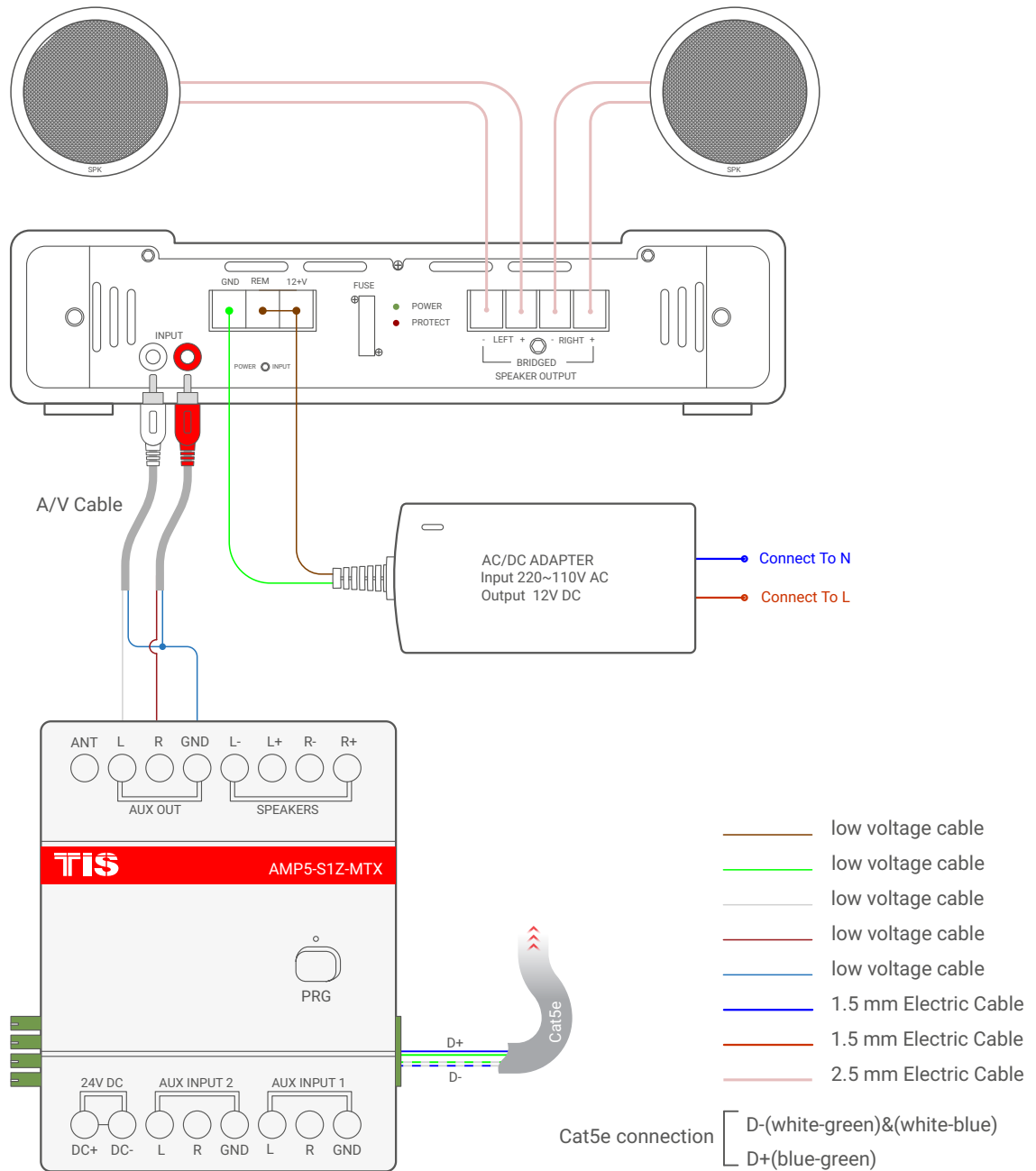
TEXAS INTELLIGENT SYSTEM LLC
SUITE# 610, 860 NORTH DOROTHY DR
RICHARDSON
TX 75081.USA

TIS CONTROL LIMITED
RM 1502-p9 Easey CommBldg
253-261 Hennessy Rd Wanchai
Hong Kong

TIS AUDIO PLAYER

Player / Amplifier 1 Zone 5 Sources

Model: AMP-5S1Z-MTX



▲ Figure 3: AMP-5S1Z-MTX & Amplifier Connection Diagram



Copyright © 2020 TIS, All Rights Reserved
 TIS Logo is a Registered Trademark of Texas Intelligent System LLC in the United States of America. This company takes TIS Control Ltd. in other countries. All of the Specifications are subject to change without notice.

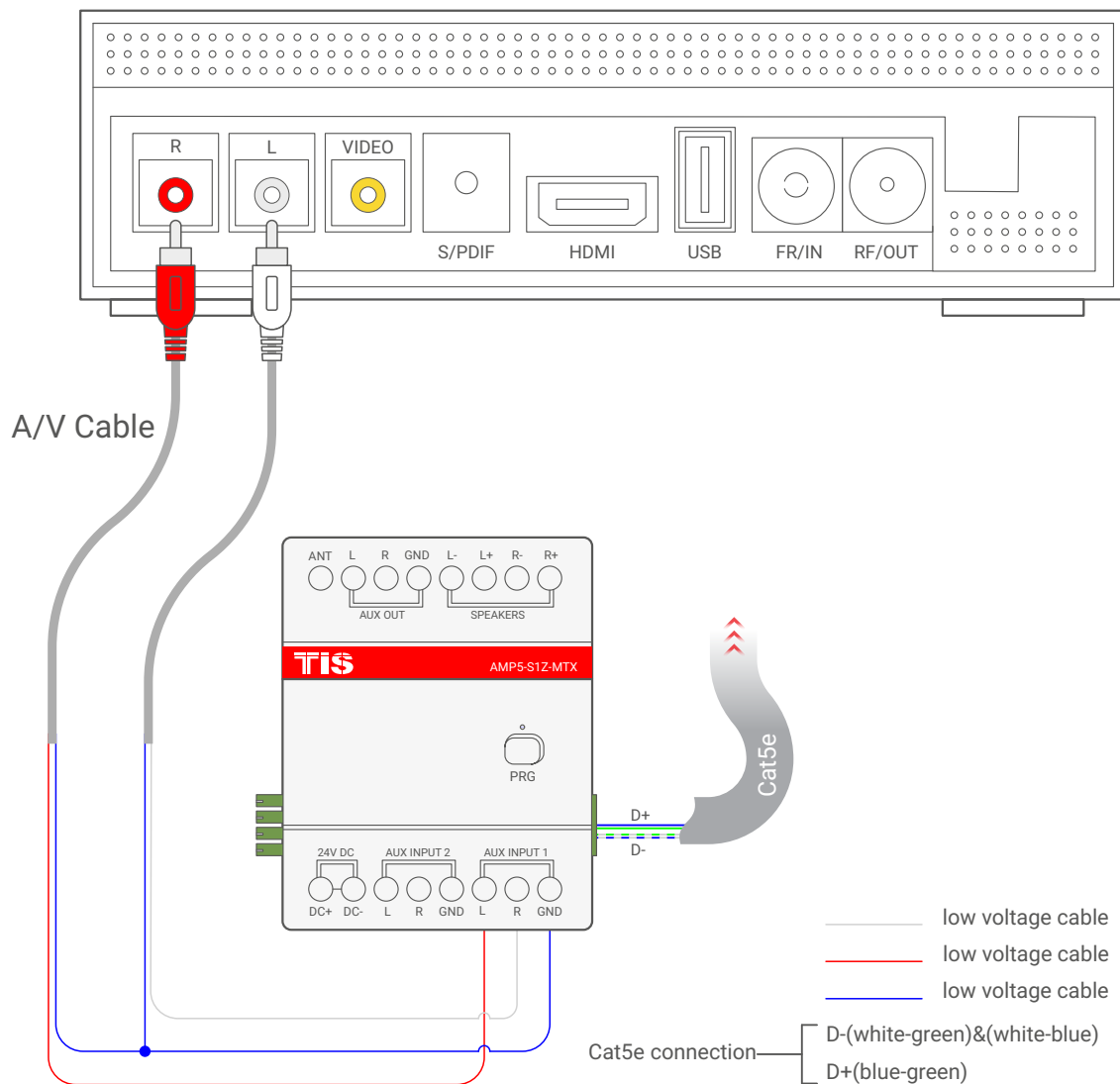
TEXAS INTELLIGENT SYSTEM LLC
 SUITE# 610, 860 NORTH DOROTHY DR
 RICHARDSON
 TX 75081.USA

TIS CONTROL LIMITED
 RM 1502-p9 Easey CommBldg
 253-261 Hennessy Rd Wanchai
 Hong Kong

TIS AUDIO PLAYER

Player / Amplifier 1 Zone 5 Sources

Model: AMP-5S1Z-MTX



▲ Figure 4: AMP-5S1Z-MTX & A/V Receiver Connection Diagram



Copyright © 2020 TIS, All Rights Reserved
TIS Logo is a Registered Trademark of Texas Intelligent System LLC in the United States of America. This company takes TIS Control Ltd. in other countries. All of the Specifications are subject to change without notice.

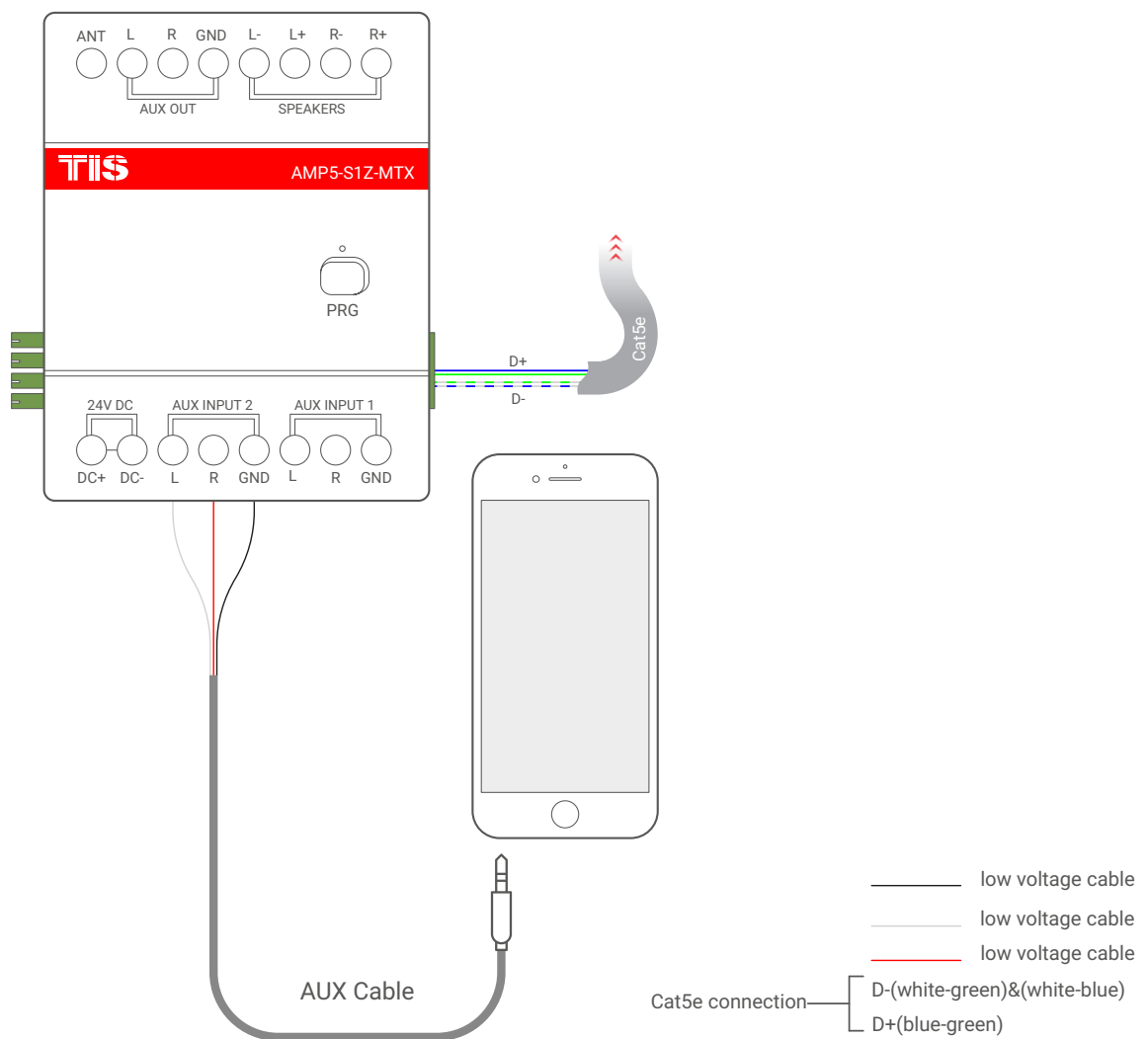
TEXAS INTELLIGENT SYSTEM LLC
SUITE# 610, 860 NORTH DOROTHY DR
RICHARDSON
TX 75081.USA

TIS CONTROL LIMITED
RM 1502-p9 Easey CommBldg
253-261 Hennessy Rd Wanchai
Hong Kong

TIS AUDIO PLAYER

Player / Amplifier 1 Zone 5 Sources

Model: AMP-5S1Z-MTX



▲ Figure 5: AUX Cable Connection Diagram



Copyright © 2020 TIS, All Rights Reserved
TIS Logo is a Registered Trademark of Texas Intelligent System LLC in the United States of America. This company takes TIS Control Ltd. in other countries. All of the Specifications are subject to change without notice.

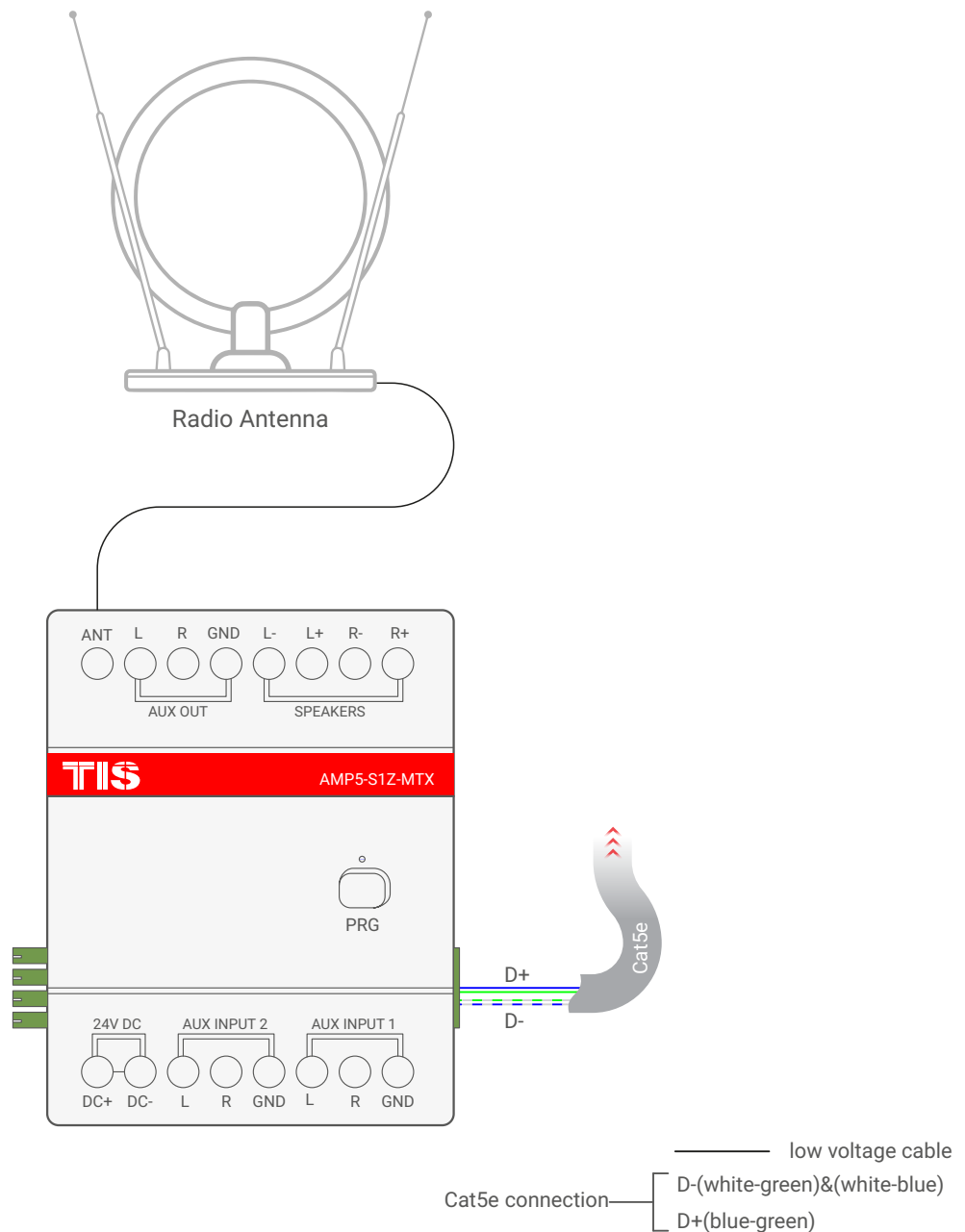
TEXAS INTELLIGENT SYSTEM LLC
SUITE# 610, 860 NORTH DOROTHY DR
RICHARDSON
TX 75081.USA

TIS CONTROL LIMITED
RM 1502-p9 Easey CommBldg
253-261 Hennessy Rd Wanchai
Hong Kong

TIS AUDIO PLAYER

Player / Amplifier 1 Zone 5 Sources

Model: AMP-5S1Z-MTX



▲ Figure 6: Radio Antenna Connection Diagram



Copyright © 2020 TIS, All Rights Reserved
TIS Logo is a Registered Trademark of Texas Intelligent System LLC in the United States of America. This company takes TIS Control Ltd. in other countries. All of the Specifications are subject to change without notice.

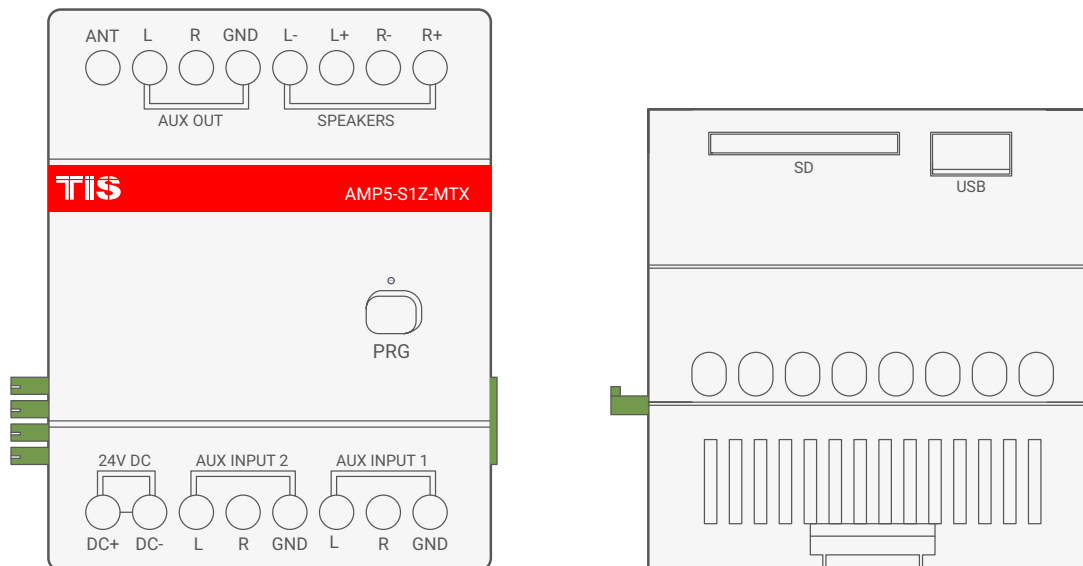
TEXAS INTELLIGENT SYSTEM LLC
SUITE# 610, 860 NORTH DOROTHY DR
RICHARDSON
TX 75081.USA

TIS CONTROL LIMITED
RM 1502-p9 Easay CommBldg
253-261 Hennessy Rd Wanchai
Hong Kong

TIS AUDIO PLAYER

Player / Amplifier 1 Zone 5 Sources

Model: AMP-5S1Z-MTX



▲ Figure 7: SD & USB Configuration in AMP-5S1Z-MTX Module



Copyright © 2020 TIS, All Rights Reserved
TIS Logo is a Registered Trademark of Texas Intelligent System LLC in the United States of America. This company takes TIS Control Ltd. in other countries. All of the Specifications are subject to change without notice.

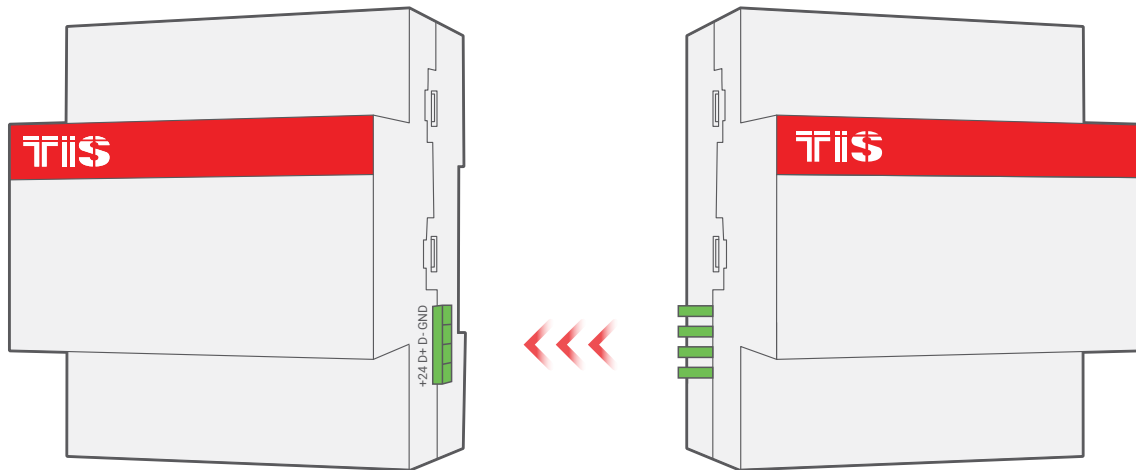
TEXAS INTELLIGENT SYSTEM LLC
SUITE# 610, 860 NORTH DOROTHY DR
RICHARDSON
TX 75081.USA

TIS CONTROL LIMITED
RM 1502-p9 Easay CommBldg
253-261 Hennessy Rd Wanchai
Hong Kong

TIS AUDIO PLAYER

Player / Amplifier 1 Zone 5 Sources

Model: AMP-5S1Z-MTX



▲ Figure 8: DIN-Rail Bus Module Configuration Diagram



Copyright © 2020 TIS, All Rights Reserved

TIS Logo is a Registered Trademark of Texas Intelligent System LLC in the United States of America. This company takes TIS Control Ltd. in other countries. All of the Specifications are subject to change without notice.

TEXAS INTELLIGENT SYSTEM LLC

SUITE# 610, 860 NORTH DOROTHY DR
RICHARDSON
TX 75081.USA

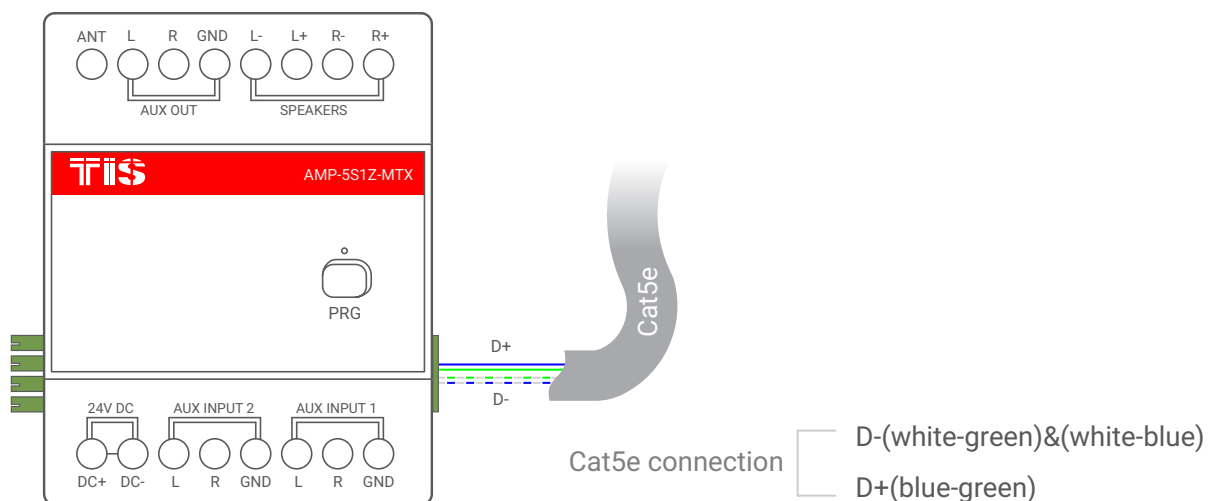
TIS CONTROL LIMITED

RM 1502-p9 Easey CommBldg
253-261 Hennessy Rd Wanchai
Hong Kong

TIS AUDIO PLAYER

Player / Amplifier 1 Zone 5 Sources

Model: AMP-5S1Z-MTX



▲ Figure 9: Bus Connection Color Coding



Copyright © 2020 TIS, All Rights Reserved
TIS Logo is a Registered Trademark of Texas Intelligent System LLC in the United States of America. This company takes TIS Control Ltd. in other countries. All of the Specifications are subject to change without notice.

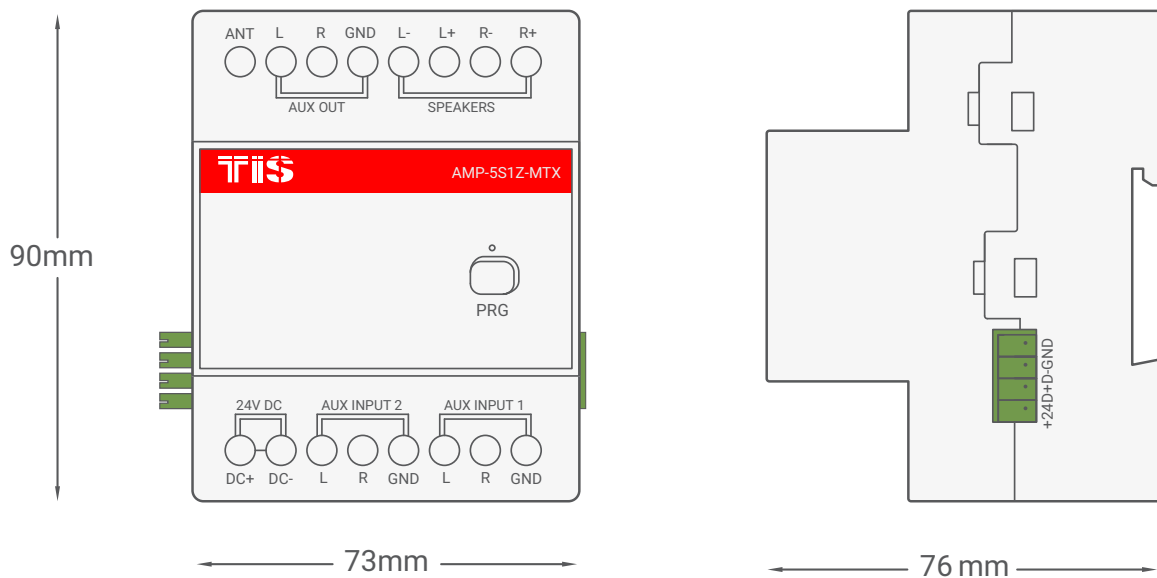
TEXAS INTELLIGENT SYSTEM LLC
SUITE# 610, 860 NORTH DOROTHY DR
RICHARDSON
TX 75081.USA

TIS CONTROL LIMITED
RM 1502-p9 Easay CommBldg
253-261 Hennessy Rd Wanchai
Hong Kong

TIS AUDIO PLAYER

Player / Amplifier 1 Zone 5 Sources

Model: AMP-5S1Z-MTX



▲ Figure 10: Module Dimensions



Copyright © 2020 TIS, All Rights Reserved
TIS Logo is a Registered Trademark of Texas Intelligent System LLC in the United States of America. This company takes TIS Control Ltd. in other countries. All of the Specifications are subject to change without notice.

TEXAS INTELLIGENT SYSTEM LLC
SUITE# 610, 860 NORTH DOROTHY DR
RICHARDSON
TX 75081.USA

TIS CONTROL LIMITED
RM 1502-p9 Eassey CommBldg
253-261 Hennessy Rd Wanchai
Hong Kong