


60mm
60mm
60mm
60mm
60mm
60mm
60mm
60mm

80 mm

BASIC INFORMATION



This smart PIR motion sensor features standard Zigbee 3.00 protocol and super low power consumption. Use this stable wall-mounted device for advanced security protection in residential buildings, houses, stores, shopping malls, warehouses, banks, etc. Skip the inconveniences of false alarms and problematic sensitivity, and enjoy our intelligent motion detector's function that makes it super easy to enhance security.

1

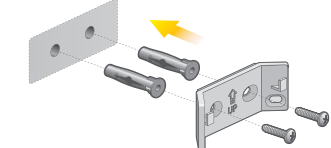
WARNINGS & SAFETY INSTRUCTIONS

! The following must be read, kept, and observed before installation:

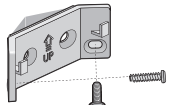
- This detector is for indoor use only.
- This alarm contains small parts and is not suitable for children. Keep away from babies and small children at all times.
- To avoid anti-tamper notifications, please mount the sensor on the bracket.
- Walls and other constructions may shorten the distance of wireless communication.
- In order not to affect detection, there should be no object or obstacle in front of the device's lens.
- Avoid mounting near air-conditioner, electric fans, refrigerators, ovens or other places where the temperature might change easily.
- This alarm contains small parts and is not suitable for children. Keep away from babies and small children at all times.
- To clean the sensor, please cut off the power, and use a soft cloth with a little alcohol to wipe it.

2

MOUNTING THE DEVICE



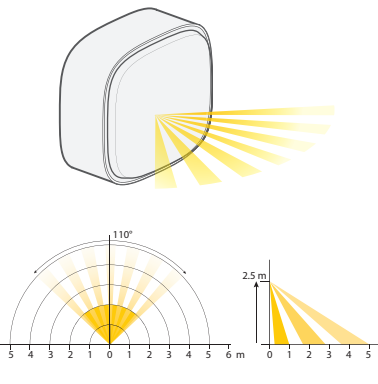
1 Fix the base plate to wall using 2 screws or the 3M adhesion tape



2 Use the side holes in case you want to mount the device in corners

3

DETECTION AREA




3 Place the battery & Screw the back plate to the device

4 Attach the device to the base plate by fixing its back plate behind the two hooks on sides of the base plate

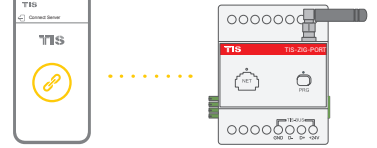
Detection Angle 110° Detection Range 5m Optimum Height 2.5m

4

CONFIGURATION

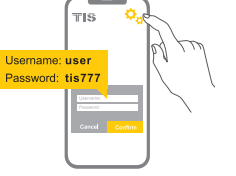


1 Download the App
Search for TIS Control & download the app




2 Set up your hub (if not already set in the application)

5



3 Go to Settings, and enter the default username and password




4 Go to the TIS-BEE configuration button, and follow the instructions


6

Add the Device

In the TIS-Bee configuration, press Add Device. Then, follow the instructions to add the device using the 2 available methods



a. Scan QR Method



b. Search Method

Select whichever method you prefer, and follow the instructions on the app

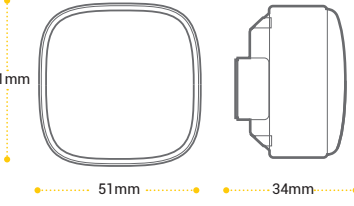
7

8

60mm
60mm
60mm
60mm
60mm
60mm
60mm

80 mm

TECHNICAL SPECIFICATIONS



51mm 34mm

Communication Protocol
Zigbee® 3.0 Network

Operating Frequency
2.4 Ghz

RF Output Power
<10dBm

Product Dimensions
51mm×34mm×51mm

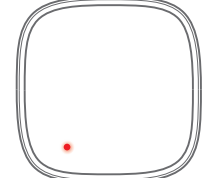
Maximum Range
line of sight 40m


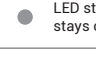
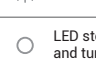

Operating humidity
<85%

Item Weight
Rated 35.3g

9

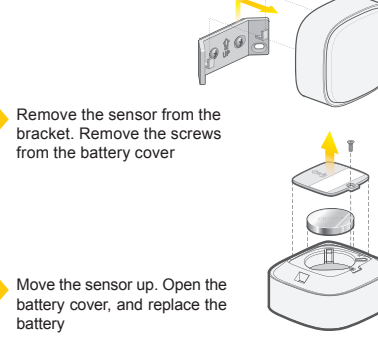
LED BEHAVIOR



LED Status	Description
	Unsuccessful pairing
	Successful pairing
	The device is being reset to factory default
	No available networks

10

BATTERY REPLACEMENT



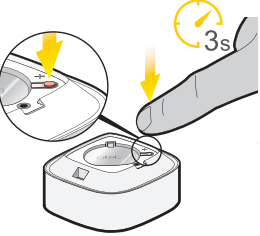
1 Remove the sensor from the bracket. Remove the screws from the battery cover

2 Move the sensor up. Open the battery cover, and replace the battery

! Caution: Risk of explosion if batteries are replaced by an incorrect type. Dispose of the batteries in accordance with instructions.

11

RESET TO FACTORY DEFAULT



1 Press the reset button (inside battery cover) for 3 seconds, then, release to reset the sensor

- The sensor can be found if App or gateway are open to search device.

12

TROUBLESHOOTING

Problem	Possible Cause	Solution
Unable to detect	Battery empty (app error message)	Replace the battery
	Device is out of range	Bring the device closer to the hub
	Device is not configured	Reset to factory default & reconfigure
Red LED does not blink, & device is unable to detect movement	Device is mounted incorrectly	Mount again. Make sure it is not upside down
	Device is not configured	Reset to factory default & reconfigure


Product specifications, size, shape, and prices are subject to change without notice, and actual product appearance may differ from that depicted on the packaging.


13

TIS BEE

PIR Motion Sensor

User Manual





Please read the user manual carefully before operation

TIS TIS CONTROL LIMITED
 FLATIRMA 12/F ZJ 300, 300 LOCKHART ROAD, WAN CHAI, HONG KONG
 www.tiscontrol.com

