


55mm
55mm
55mm
55mm
55mm
55mm
55mm
55mm

55mm
55mm
55mm
55mm
55mm
55mm
55mm
55mm

TIS ZIGBEE User Manual
Smart Smoke-Detector



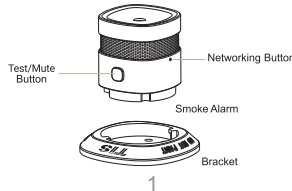
Standards tested to: EN14604:2005/AC:2008

Please read the user manual carefully before operation

1 Product Introduction

This product is a smart photoelectric smoke detector designed with ultra-low-power Zigbee wireless network technology. It is capable of real-time smoke detection. When fire smoke is sensed, the red LED light on the device starts flashing rapidly and the acoustic alarm is triggered.

This product can be used in household, lounge, and other areas where smoke detection is required. Tool-free installation. Once adhered, it is ready to use.

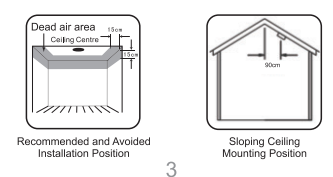


2 Technical Specification

- Working Voltage: DC3V(CR17335/CR123A Lithium Battery)
- Alarm Indication: Red LED
- Sound Level: ≥85dB/3m
- Networking Way: Zigbee 3.0 Network
- Distance to Zigbee 3.0 Network: ≤70m(open area)
- Working Temperature: -10°C ~ +50°C
- Working Humidity: ≤95%RH
- Dimensions: 60*60*49.2mm

3 Installation

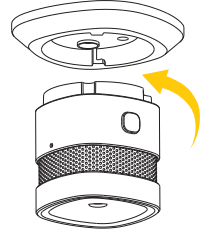
- Flat Ceiling Mounting**
The recommended mounting location for this product is the center of ceiling. This is due to the fact that smoke, heat, and combustibles first accumulate at height and then spread. Keep at least 30cm distant from lights & decorations, and 15cm away from walls & corners.
- Sloping Ceiling Mounting**
If ceiling is sloping, please install the product horizontally 90cm distant from the ceiling top.



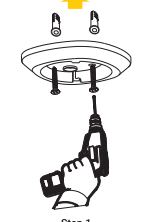
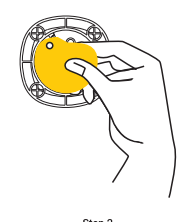
4 Installation Instruction

- Configure Zigbee hub with the sensor. The distance between the smart hub & the product should be shortened and barriers should be minimized.
- Avoid installing in areas with high noise or high frequency interference. Do not install near metal air conditioners, heater devices, and circuit breaker boxes.
- Wireless transmission may strengthen in the presence of metal building materials & reinforced concrete walls.
- If homogeneous in material, damping of the signal has a direct ratio with a barrier.

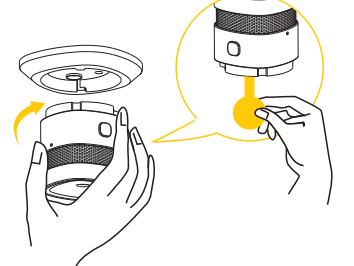
5 Installation Guide



- Rotate the bracket out from the mounting base counterclockwise.

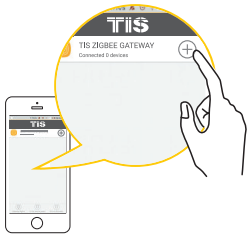
- Step 1:** screw and fix the bracket into ceiling.
- Step 2:** remove the double-sided adhesive tape and stick the product onto ceiling.



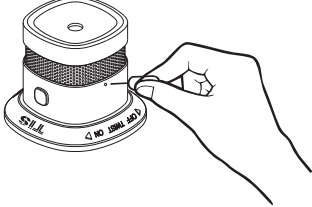
- Remove the battery insulating strip to power on the product. Clockwise rotate the detector back into bracket.

55mm
55mm
55mm
55mm
55mm
55mm
55mm

6 Networking



- Click "G" on the TIS App or Software, and enter the networking mode. Please take user manual of smart hub for reference.



- Adding network: Press the network button for 2 seconds once you receive a prompt on the App or Software to do so. When the LED light flashes in green, the network is connected successfully.
- Disconnect network: Press the network button for 5 seconds. Once the green indicator flashes slowly for 3 seconds, network is disconnected successfully.

7 LED Status & Alarm


Status	LED	Sound Alarm
Standby	Red LED flashes every 53 seconds	NO
Test	Red LED flashes rapidly	rapid "Di-Di-Di"
Alarm	Red LED flashes rapidly	rapid "Di-Di-Di"
Mute	Red LED flashes every 10 seconds	NO
Low Power	Red LED flashes once	A "Di" sound every 53 seconds
Fault	Red LED flashes twice every 53 seconds	Two "Di-Di" sounds every 53 seconds

LED	Status
Green	1-Quick flashes for 5 times/seconds during network configuration. 2-On for around 3 seconds in successful network configuration. 3-Two slow flashes every 3 seconds in failed network configuration.
Red	1-Six slow flashes if network is failed during App operation. 2-Remains on for 2 seconds and then flashes 6 times slowly if network disconnection is successful.

8 FAQ

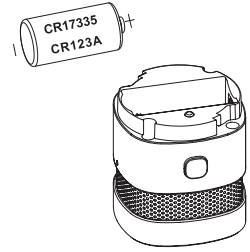
Phenomenon	Analysis	Treatment
Power on and alarm	there is large dust or vapour	power on after cleaning dust or vapour
Power on with short "Di-Di"	Low power	Replace battery with the same kind
No Buzzer or low-volume sounds	Low power	Replace battery with the same kind
Power test button but no alarm	power connect of battery, or battery polarity inverse	install battery and pay attention to battery polarity
Device off line	Low power	Replace battery with the same kind
	smart device too far away from smart hub	1. Add repeater 2. Shorten distance between smart hub & the product, press test button or power on again.
Networking failed	Alarm device not quit from network gateway do not enter network state	Quit network first before networking Make sure gateway under networking state

9 Mute and Test



As shown, press & hold for 3 seconds until the alarm status is enabled. (Read the Status Table for LED & sound details). Testing is recommended once a week. Do not use flames for testing.

10 Battery Replacement



- Follow the battery replacement instructions when changing batteries. Careful attention to +/- electrodes & safe environment conditions are obligatory.

11 Maintenance

- Have alarming devices checked weekly using their test button. Return the product to factory in case the buzzer button do not make sounds or the LED light is not turned on or any other malfunctions.
- Batteries normally work properly for 5 years. Poor environmental conditions such as high temperature & humidity may shorten battery life.
- Replace with the same battery type when there is a low battery prompt. To ensure that the battery is located properly, use the test button and see if the device is capable of making sounds.
- Make sure alarming devices are in good condition and are mounted in a spot with no risk of dust, damp, and rust.
- Avoid dismantling the device in case of malfunction. Only power off the device and contact a local agent.
- After serious fire detection, use of new battery is recommended.

Warning

- Do not install alarming devices in spots with high temperature, humidity, heavy oil fume, and other dirt.
- Do not test alarm function by placing the device near heavy oil paint, oil, and other colloidal-suspended solids.
- This product is only capable of detecting fire smokes and making acoustic alerts. It does not put out a fire.

Announcement

- The depicted image is for reference only.
- In case of nonconformity between practical use & user instruction, the TIS factory has the right for explanation due to ever-evolving nature of technology.

For further information and support, please visit www.tiscontrol.com