

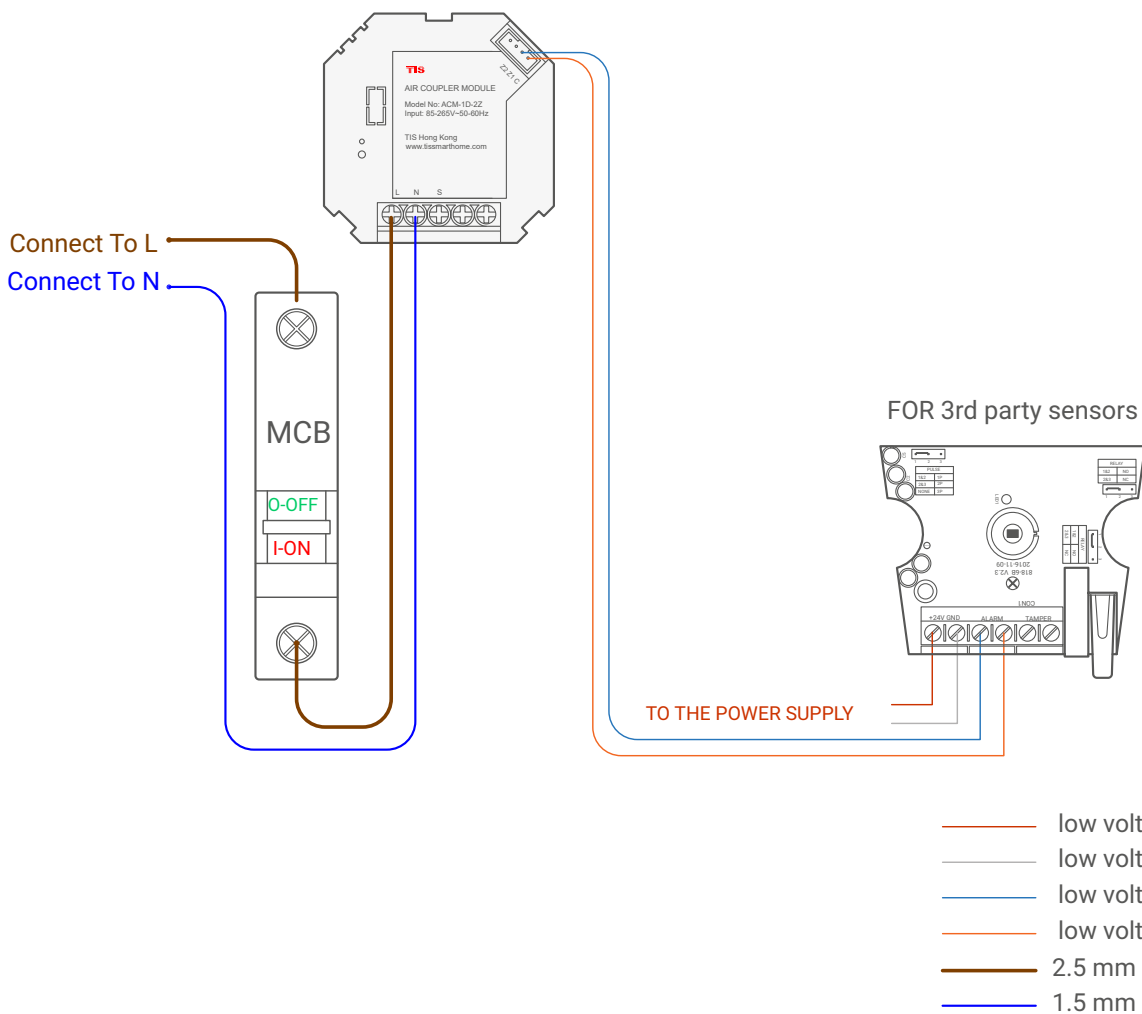
- 2.5 mm Electric Cable
- 1.5 mm Electric Cable
- 1.5 mm Electric Cable

▲ Figure 1: ACM-1D-2Z & Lights Connection Diagram

TIS AIR COUPLER MODULE



Model: ACM-1D-2Z



▲ Figure 2: ACM-1D-2Z & 3rd Party Sensor Connection Diagram



Copyright © 2020 TIS, All Rights Reserved
 TIS Logo is a Registered Trademark of Texas Intelligent System LLC in the United States of America. This company takes TIS Control Ltd. in other countries. All of the Specifications are subject to change without notice.

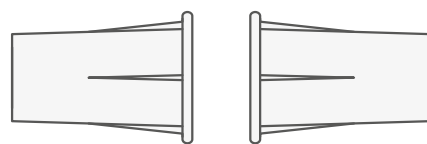
TEXAS INTELLIGENT SYSTEM LLC
 SUITE# 610, 860 NORTH DOROTHY DR
 RICHARDSON
 TX 75081.USA

TIS CONTROL LIMITED
 RM 1502-p9 Easey CommBldg
 253-261 Hennessy Rd Wanchai
 Hong Kong

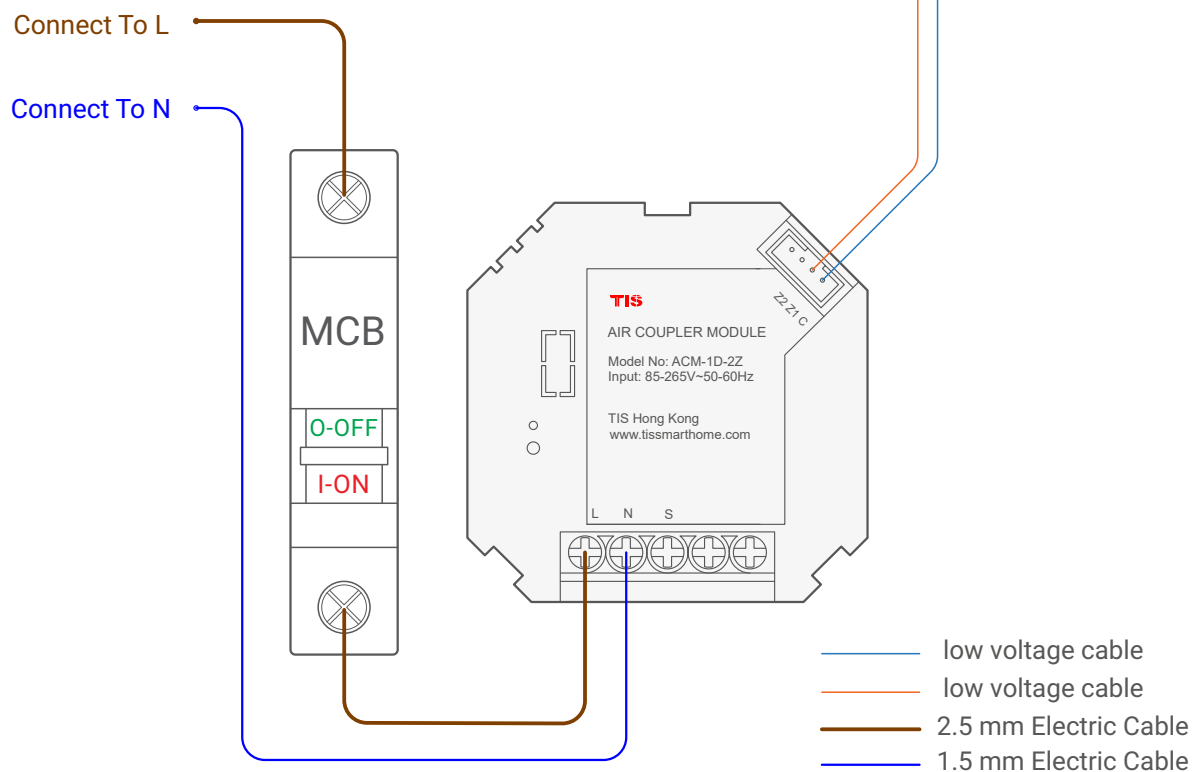
TIS AIR COUPLER MODULE



Model: ACM-1D-2Z



Door Magnet Contact



▲ Figure 3: ACM-1D-2Z & Magnetic Door Contact Connection Diagram



Copyright © 2020 TIS, All Rights Reserved
TIS Logo is a Registered Trademark of Texas Intelligent System LLC in the United States of America. This company takes TIS Control Ltd. in other countries. All of the Specifications are subject to change without notice.

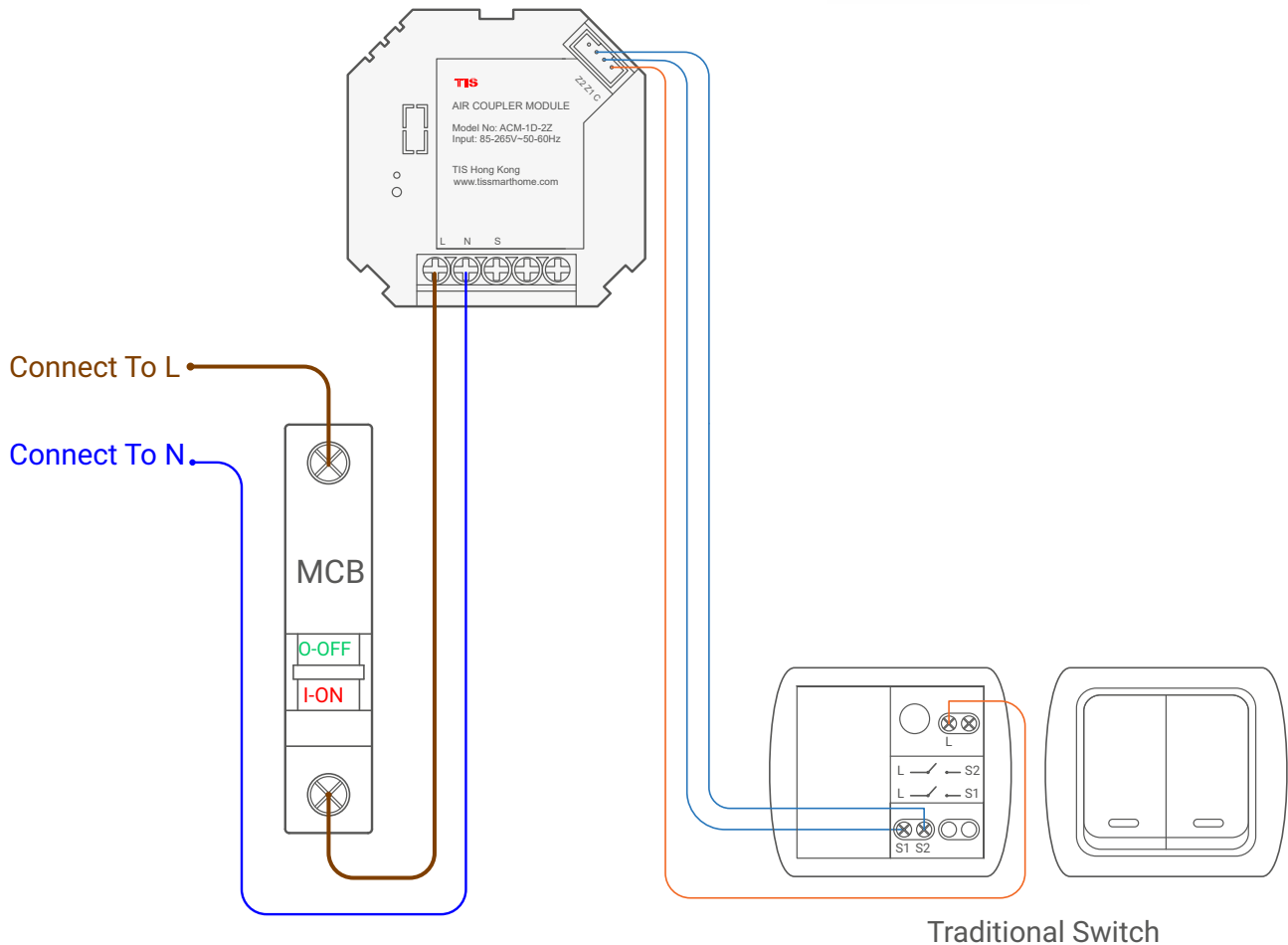
TEXAS INTELLIGENT SYSTEM LLC
SUITE# 610, 860 NORTH DOROTHY DR
RICHARDSON
TX 75081.USA

TIS CONTROL LIMITED
RM 1502-p9 Easey CommBldg
253-261 Hennessy Rd Wanchai
Hong Kong

TIS AIR COUPLER MODULE



Model: ACM-1D-2Z



Traditional Switch

- low voltage cable
- low voltage cable
- 2.5 mm Electric Cable
- 1.5 mm Electric Cable

▲ Figure 4: ACM-1D-2Z & Traditional Switch Connection Diagram



Copyright © 2020 TIS, All Rights Reserved
 TIS Logo is a Registered Trademark of Texas Intelligent System LLC in the United States of America. This company takes TIS Control Ltd. in other countries. All of the Specifications are subject to change without notice.

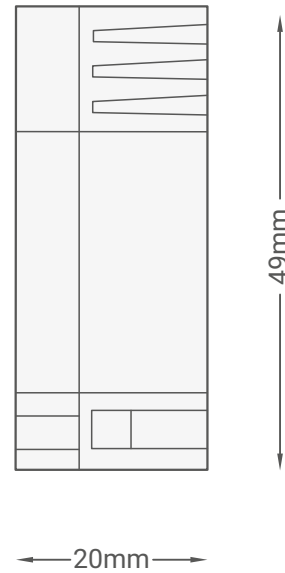
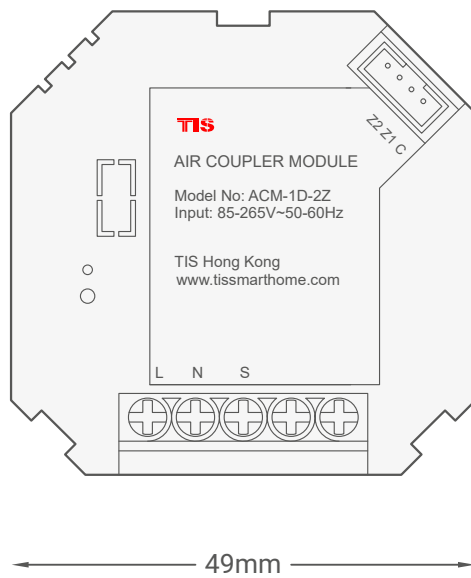
TEXAS INTELLIGENT SYSTEM LLC
 SUITE# 610, 860 NORTH DOROTHY DR
 RICHARDSON
 TX 75081.USA

TIS CONTROL LIMITED
 RM 1502-p9 Eassey CommBldg
 253-261 Hennessy Rd Wanchai
 Hong Kong

TIS AIR COUPLER MODULE



Model: ACM-1D-2Z



▲ Figure 5: Module's Dimensions



Copyright © 2020 TIS, All Rights Reserved
TIS Logo is a Registered Trademark of Texas Intelligent System LLC in the United States of America. This company takes TIS Control Ltd. in other countries. All of the Specifications are subject to change without notice.

TEXAS INTELLIGENT SYSTEM LLC
SUITE# 610, 860 NORTH DOROTHY DR
RICHARDSON
TX 75081.USA

TIS CONTROL LIMITED
RM 1502-p9 Easey CommBldg
253-261 Hennessy Rd Wanchai
Hong Kong